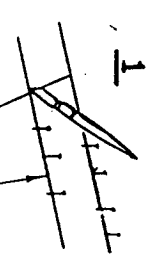
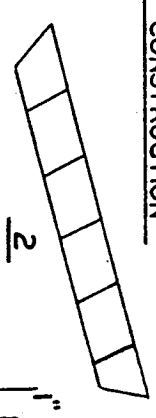


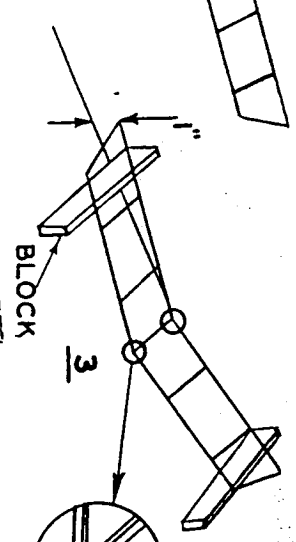
WING CONSTRUCTION



1  
PINS HOLD STRIPS DOWN

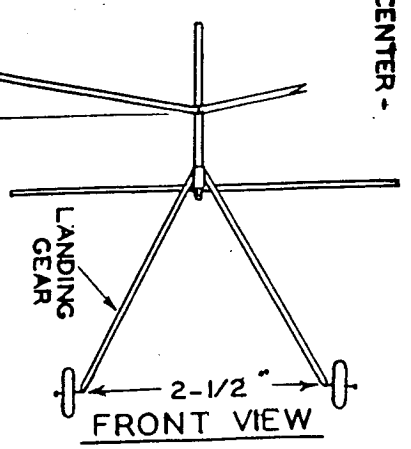


2

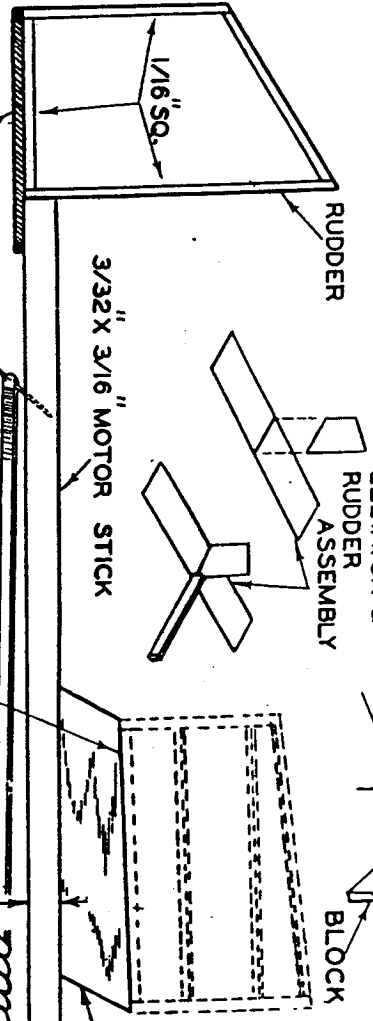


3  
CRACK WING IN CENTER - THEN CEMENT

BEVEL SIDE OF STRUT TO FIT STICK



FRONT VIEW



RUDDER

ELEVATOR & RUDDER ASSEMBLY

3/32" x 3/16" MOTOR STICK

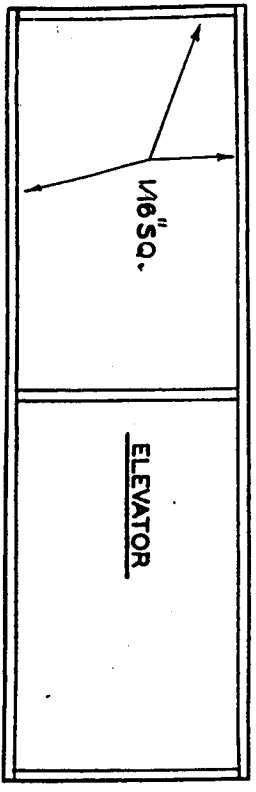
ELEVATOR - COVER ON TOP ONLY

RUBBER BAND

GLUE WING TO WING MOUNT

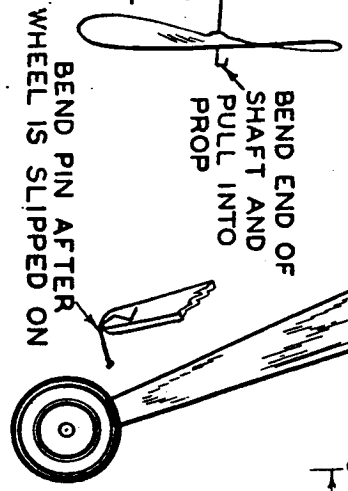
MOUNT

NOTE: BALANCE COMPLETED MODEL WITHOUT WING TO DETERMINE POSITION OF MOUNT. THEN GLUE ON MOUNT WITH ARROW AT BALANCING POINT



ELEVATOR

PROP DETAIL

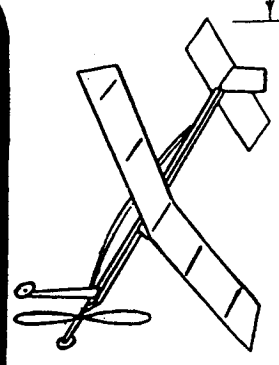


BEND END OF SHAFT AND PULL INTO PROP

BEND PIN AFTER WHEEL IS SLIPPED ON

1" DIHEDRAL

GLUE THRUST BEARING FIRMLY TO MOTOR STICK



BABY R.O.G.

WING SPAN 10" LENGTH 7-1/2"

DRAWN BY P. J. WOOD KIT NO. W1