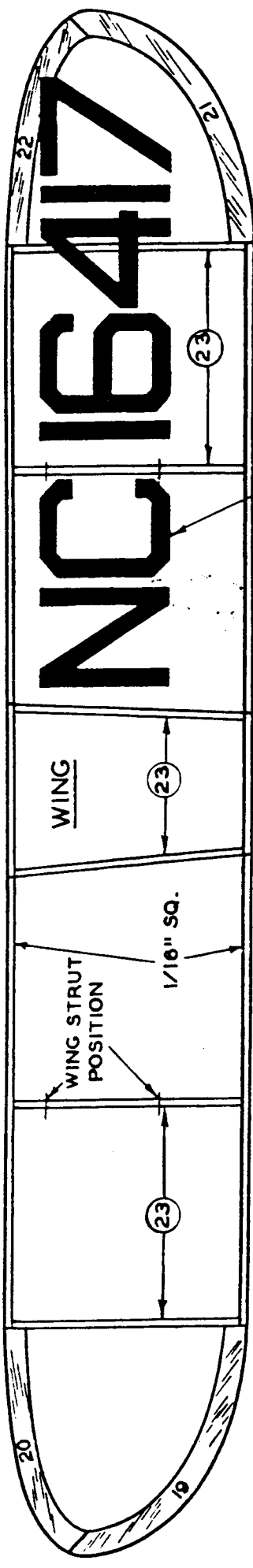


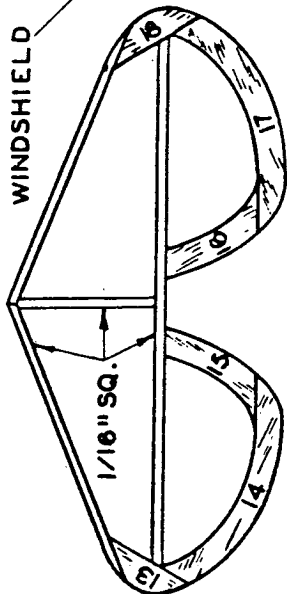
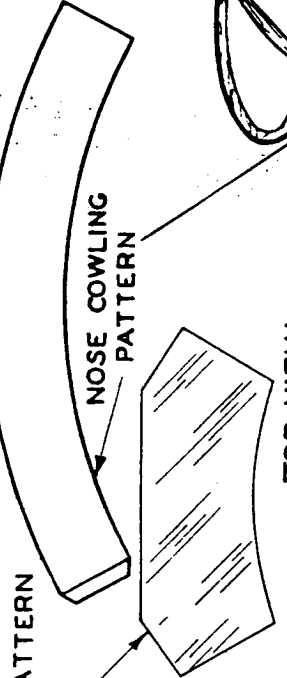
NC 16417



CUT LICENSE NUMBERS FROM PLAN AND STICK TO TOP OF WING

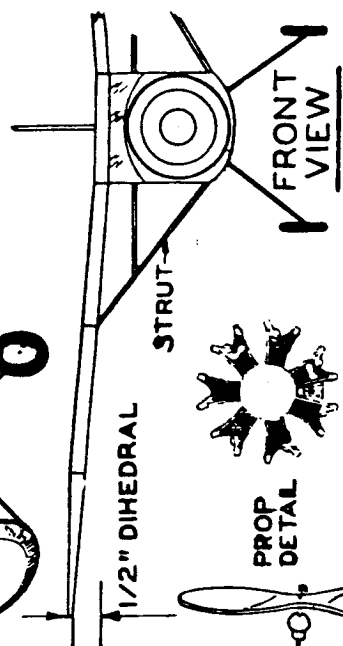
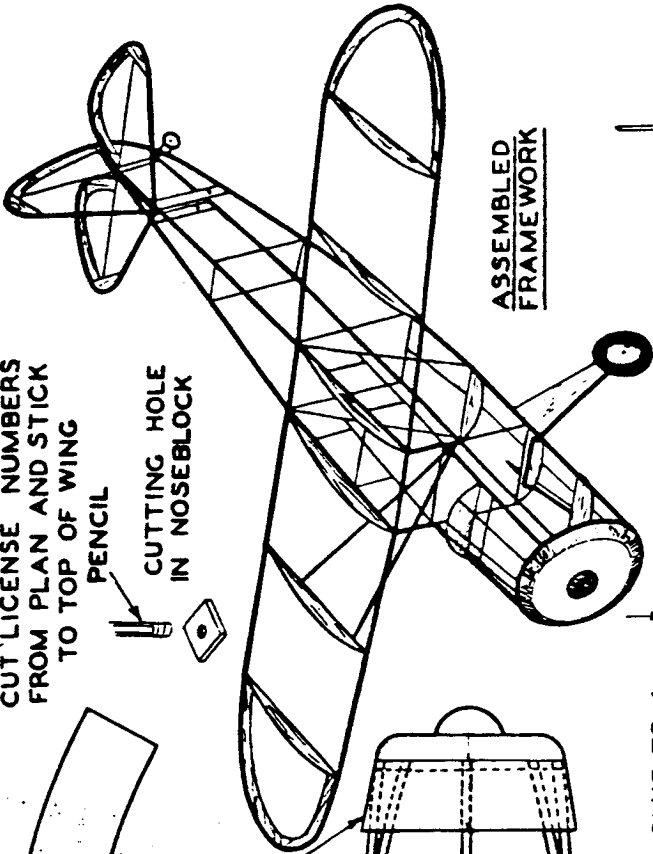
PENCIL

CUTTING HOLE IN NOSEBLOCK

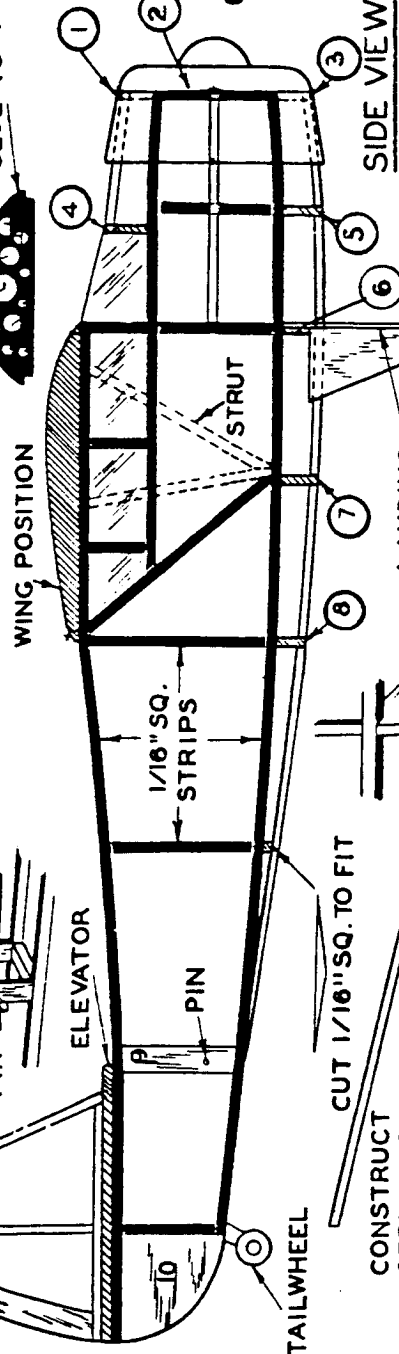


TOP VIEW

ELEVATOR POSITION



GLUE TO 4



ATTACH RUBBER BEFORE COVERING MODEL

CUT 1/16" SQ. TO FIT

CONSTRUCT STRUTS OVER PLAN

DROP OF GLUE KEEPS WHEEL ON AXLE.

HOWARD

WINGSPAN 10" LENGTH 6 1/2"
DRAWN BY *Howard* KIT NO. W 12