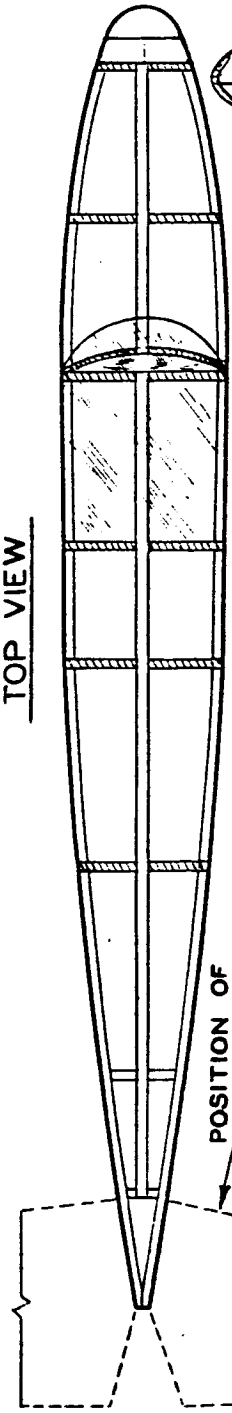


CUT LICENSE NUMBERS FROM PLAN

TOP VIEW



POSITION OF ELEVATOR

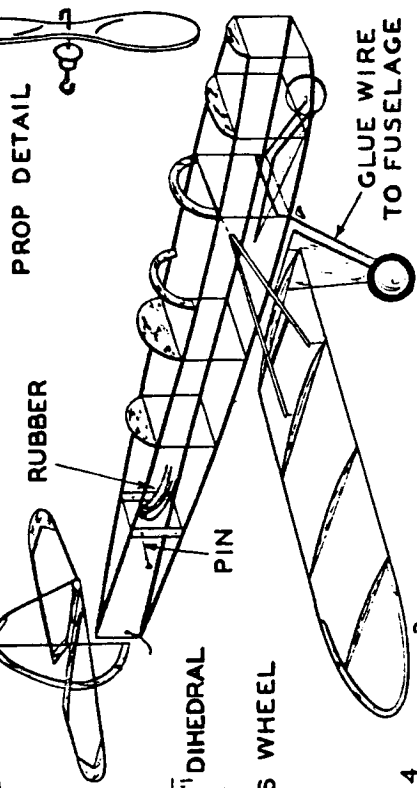
CEMENT TO MODEL

STRUT

1/2" DIHEDRAL

DROP OF GLUE KEEPS WHEEL ON AXLE

FRONT VIEW

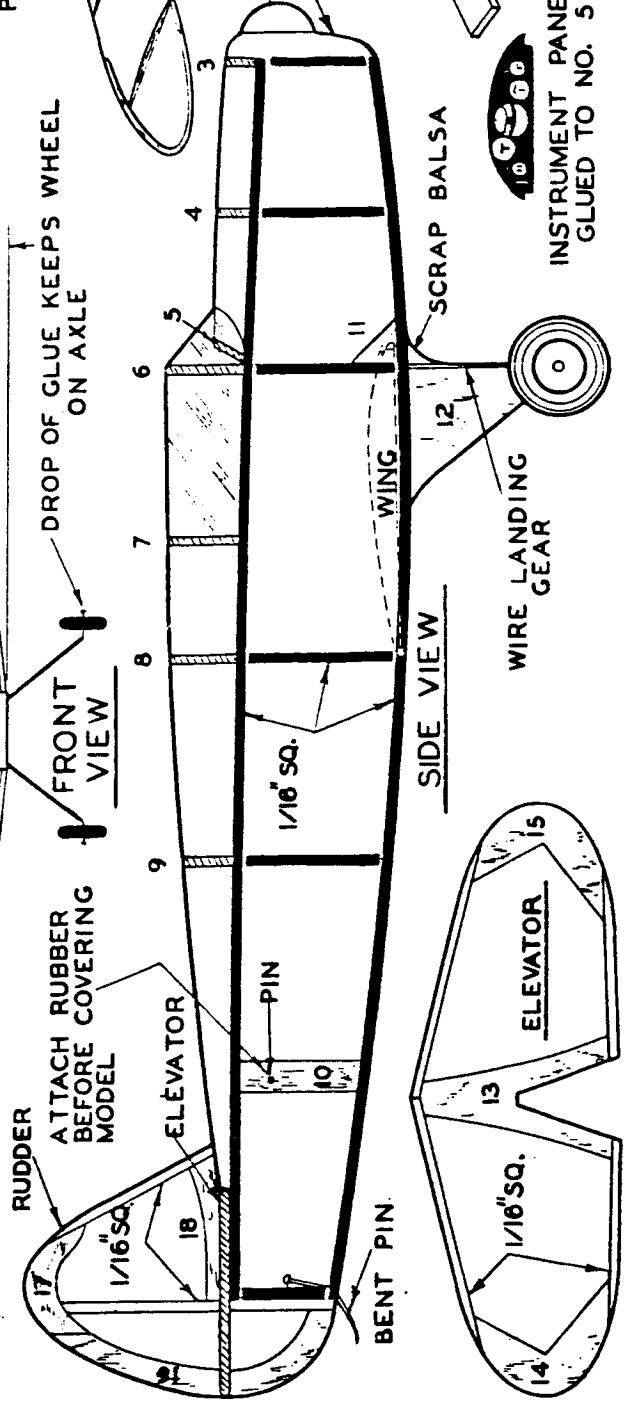


PROP DETAIL

RUBBER

PIN

GLUE WIRE TO FUSELAGE



SIDE VIEW

NOSE BLOCK

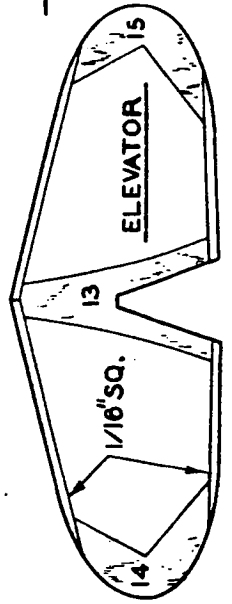
PENCIL CUTTING HOLE IN NOSEBLOCK

SCRAP BALS

WIRE LANDING GEAR



WINDSHIELD



ELEVATOR

1/16" SQ.

BENT PIN

INSTRUMENT PANEL  
GLUED TO NO. 5



MILLER RACER

WING SPAN 10" LENGTH 7-1/8"

DRAWN BY Edward Leight/KIT NOW 7