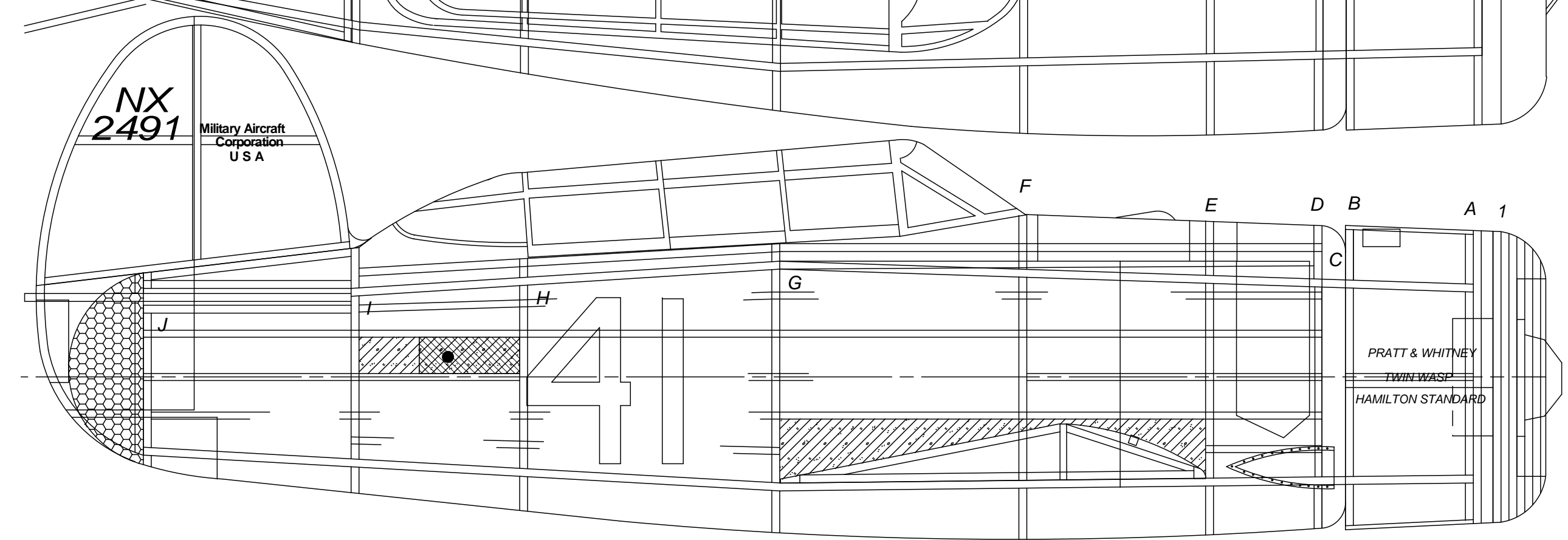
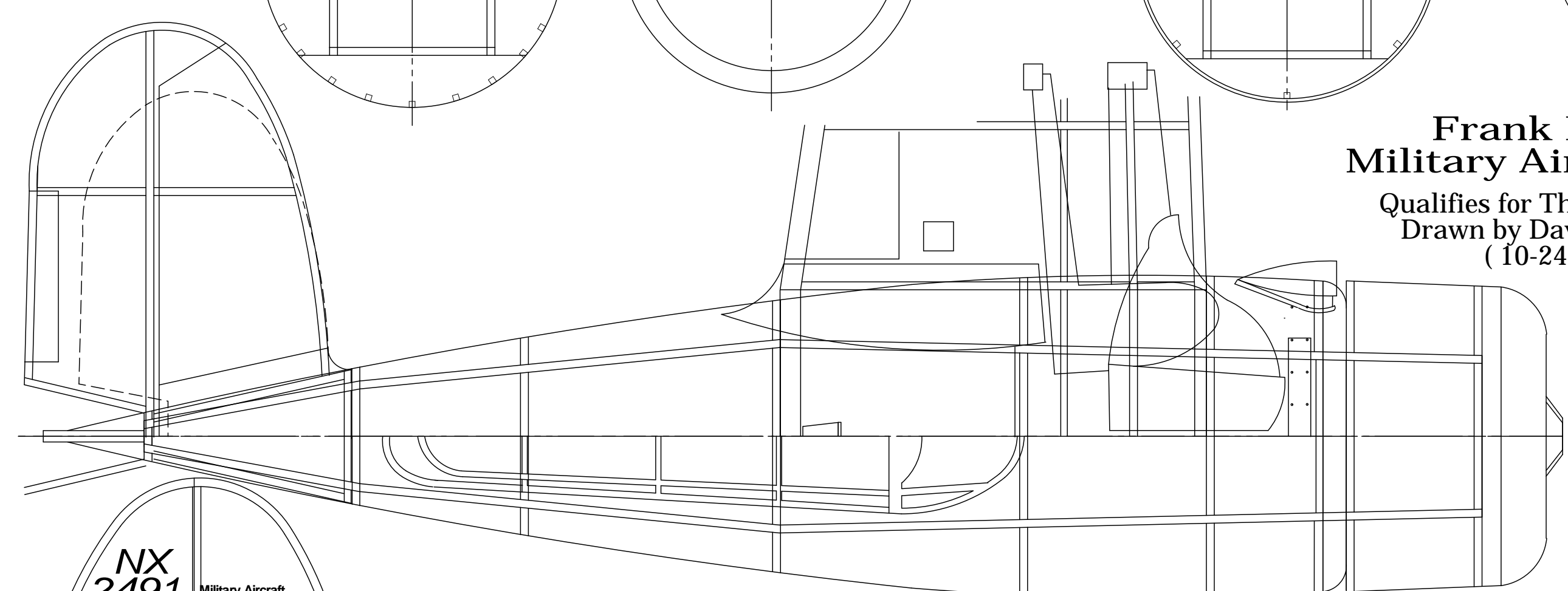


**Frank Hawks
Military Aircraft HM-1**
Qualifies for Thompson race
Drawn by David Livesay
(10-24-94)



**NX
2491**
Military Aircraft
Corporation
USA

PRATT & WHITNEY
TWIN WASP
HAMILTON STANDARD



MAKE 8- 1/16 THICK
1- 3/32 THICK HARD Balsa