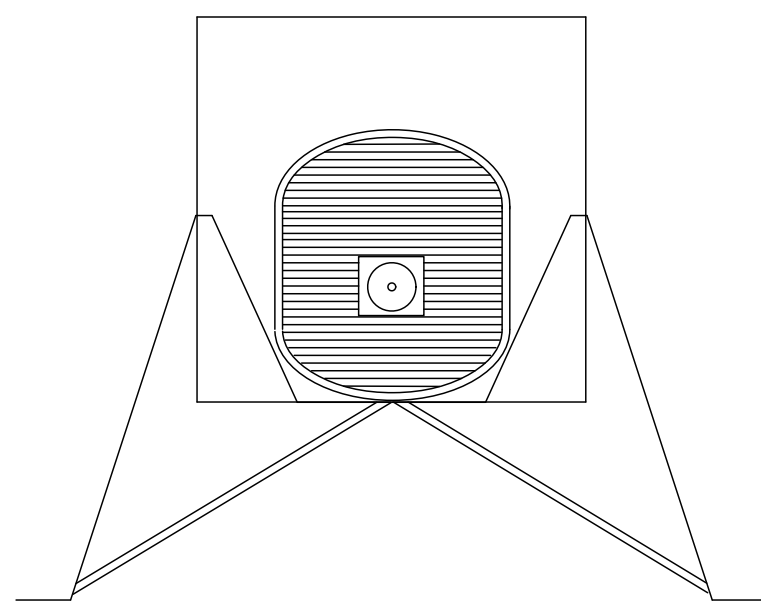
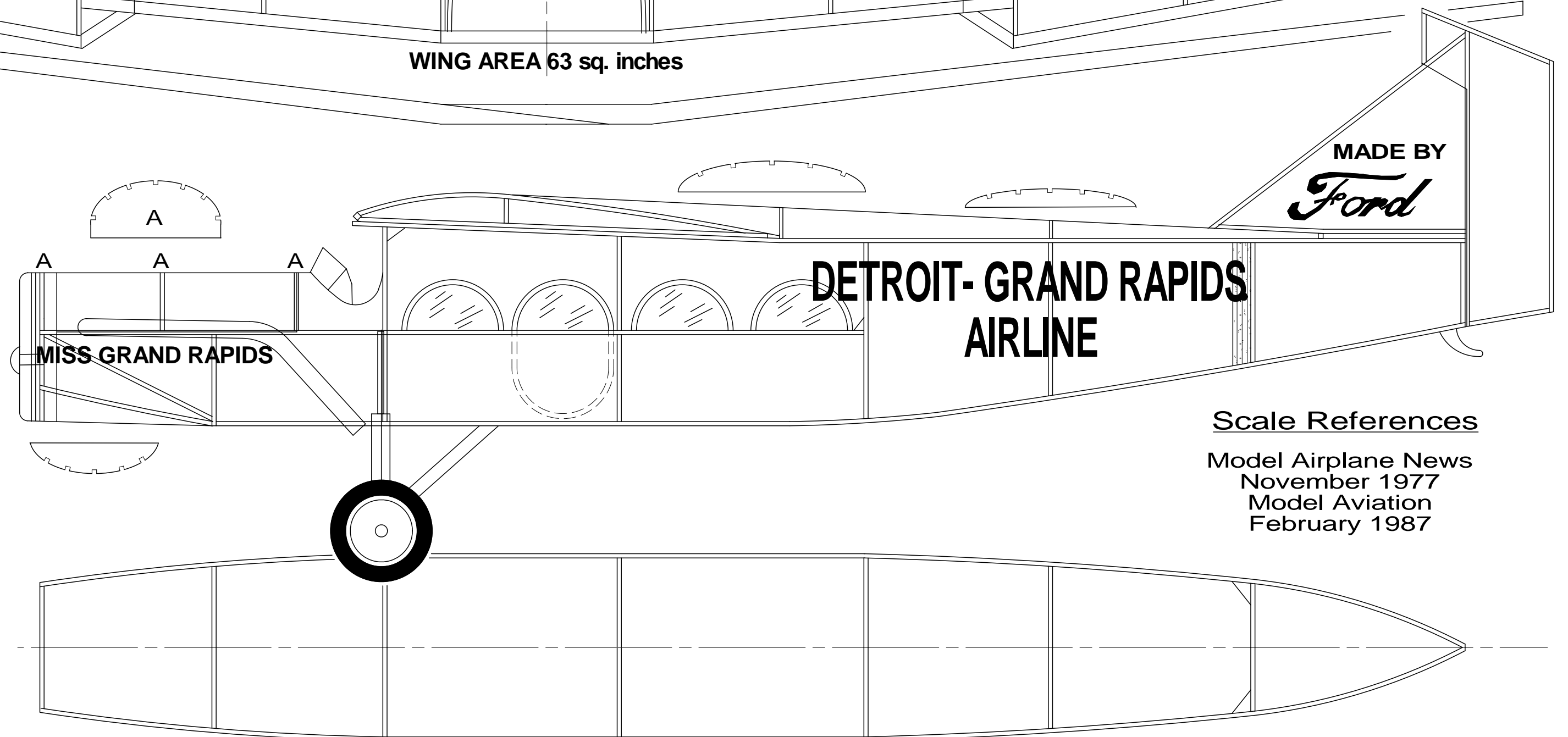


1 inch Dihedral each tip



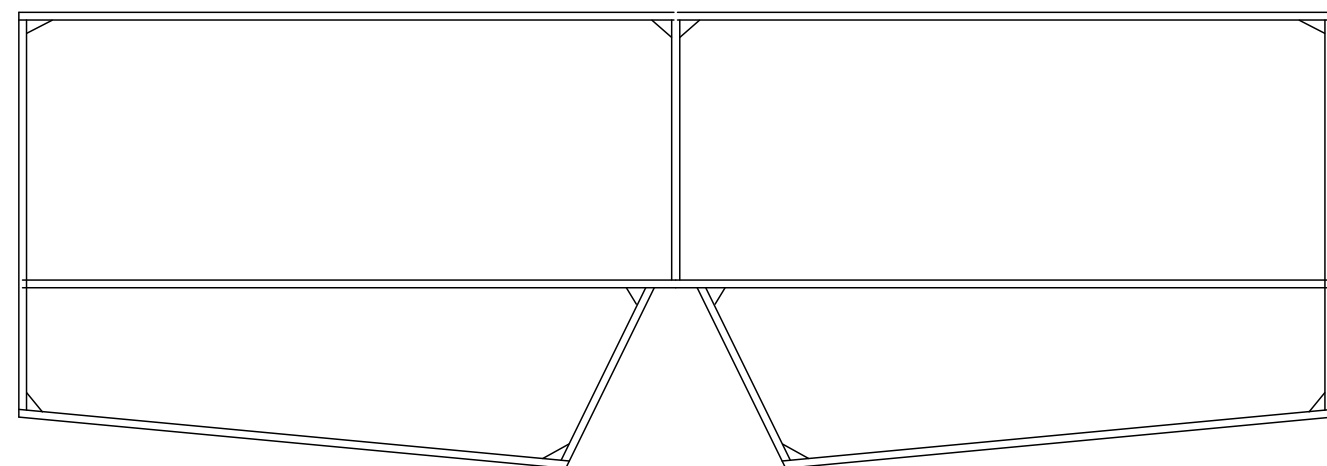
Color

Natural duraluminum overall
 Black antiglare panel upper nose
 black markings



Scale References

Model Airplane News
 November 1977
 Model Aviation
 February 1987



Notes

8" Dia. 9 1/2" Pitch Prop
 Fly left for Indoors
 Washout 1/8" Right Wing Tip
 3 Degs Downthrust
 No Right or Left Thrust

MISS GRAND RAPIDS (FORD) STOUT 2-AT TRANSPORT	
Golden Age Rubber Scale	
18 1/2 Wingspan	13.2 Grams
Stu Weckerly (10-9-93)	