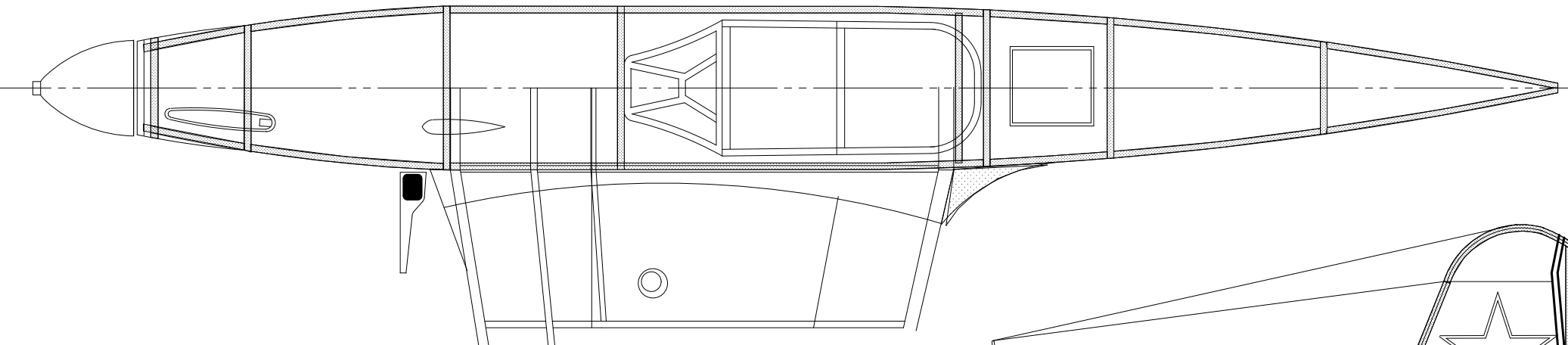
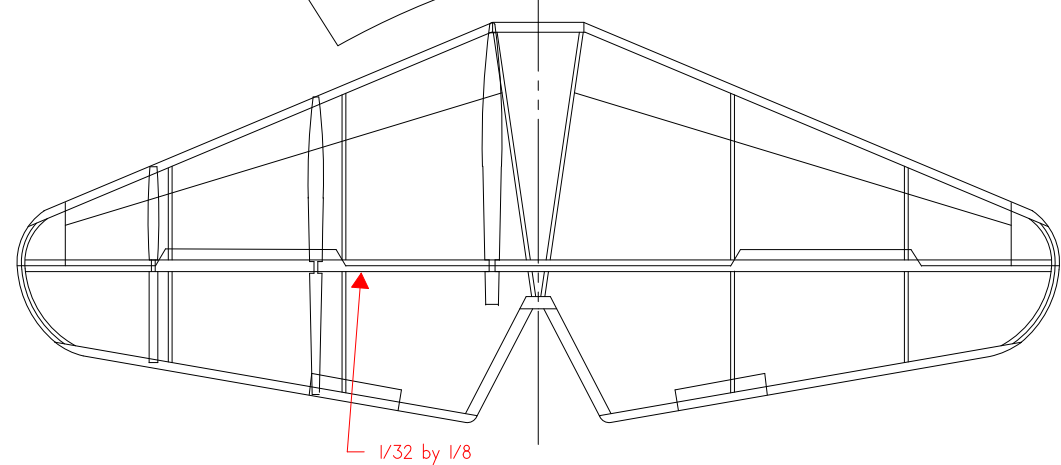
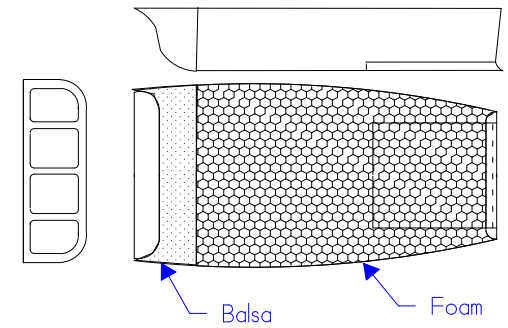
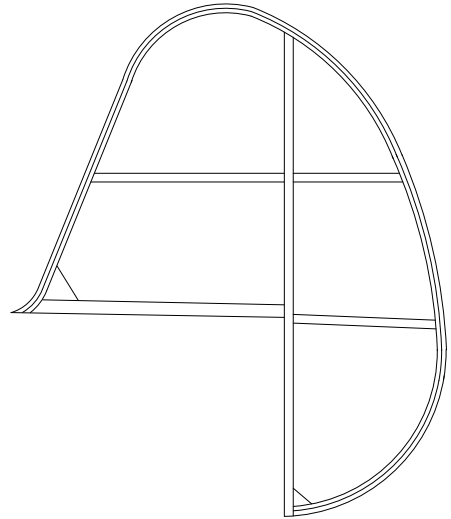
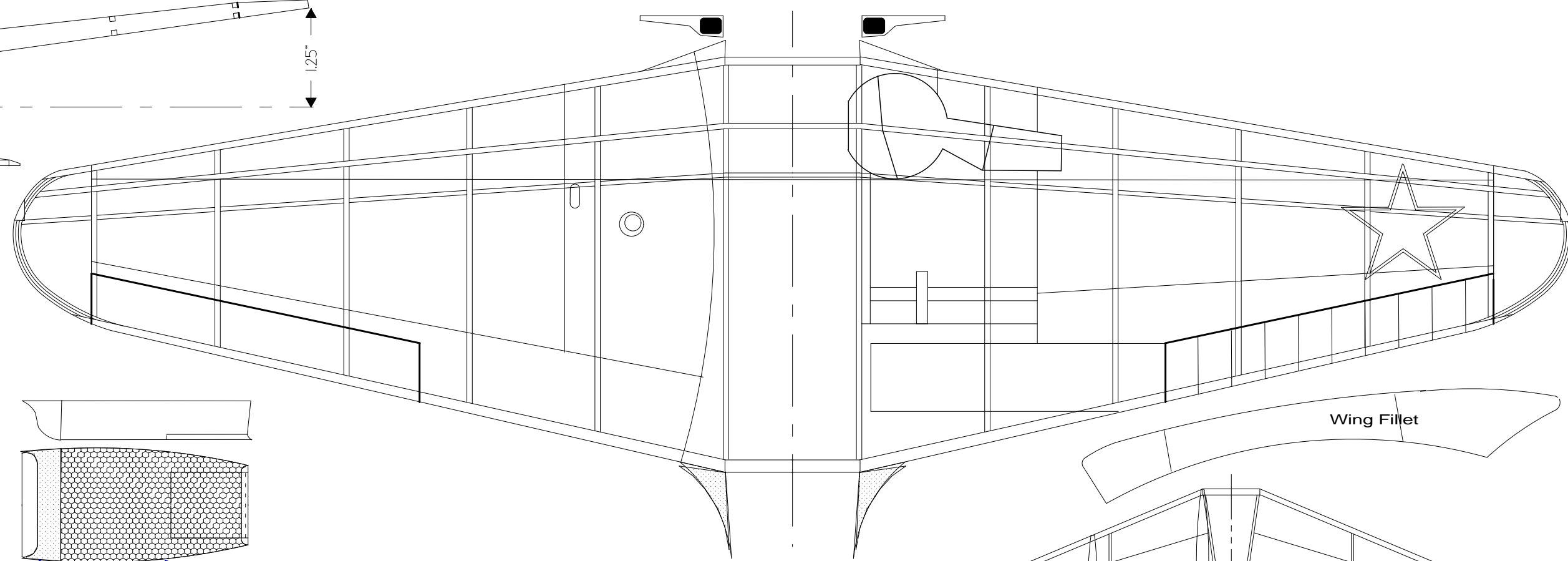
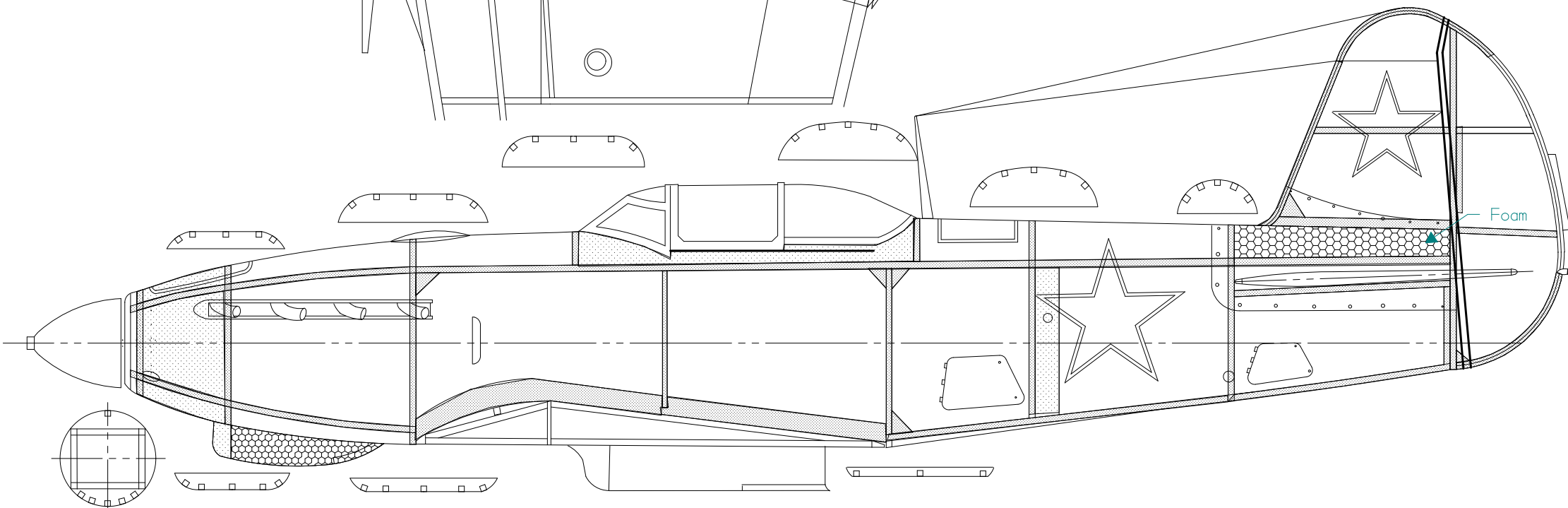


Wing is built with Cracked Ribs  
use Only Medium Weight Stringy  
Balsa for all Parts of the Wing.



Scale References:

- Squadron/Signal number 78
- Soviet Air Force Fighters (Part 2)
- Aircraft of the Soviet Union



**YAK 9D**

WWII Russian Fighter  
Drawn By: Paul Boyanowski  
Traced By: Dave Livesay (3-14-93)

**PEANUT SCALE**