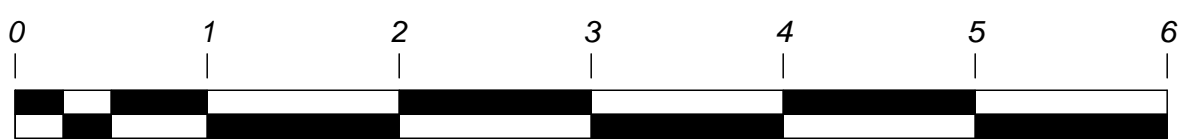
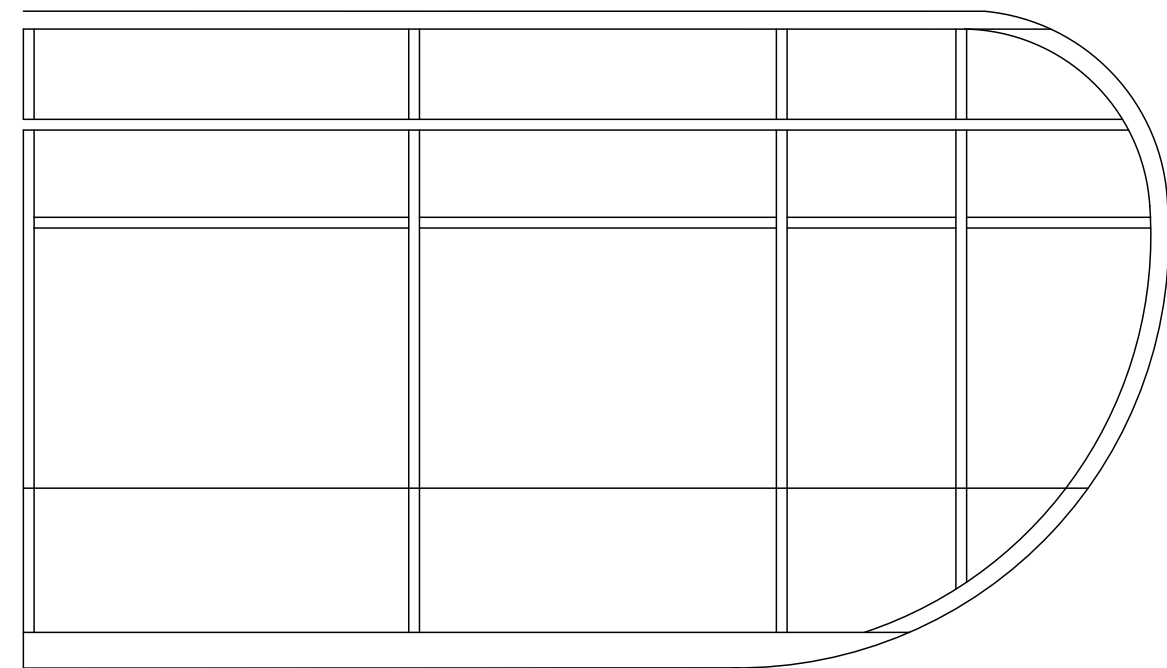
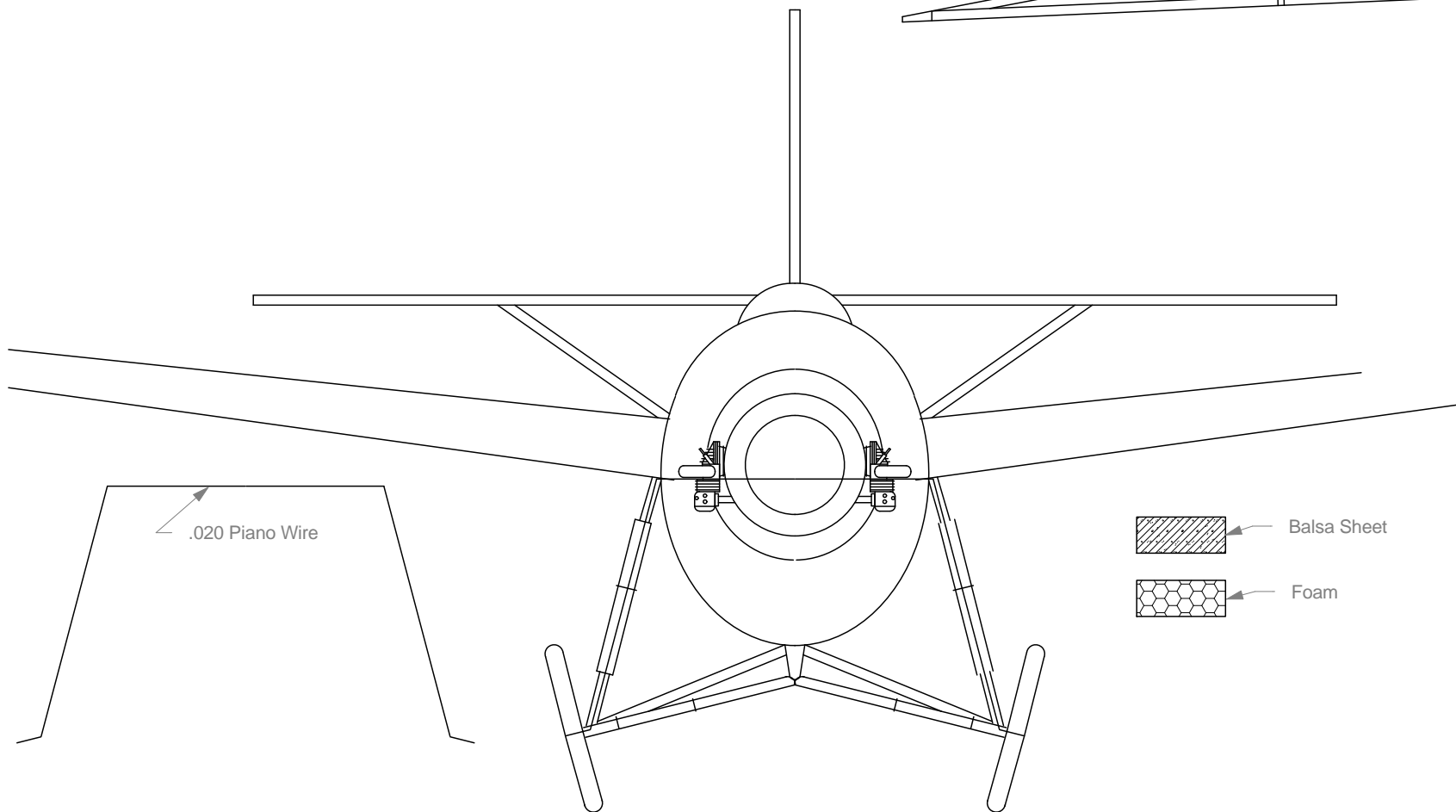
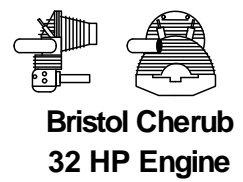
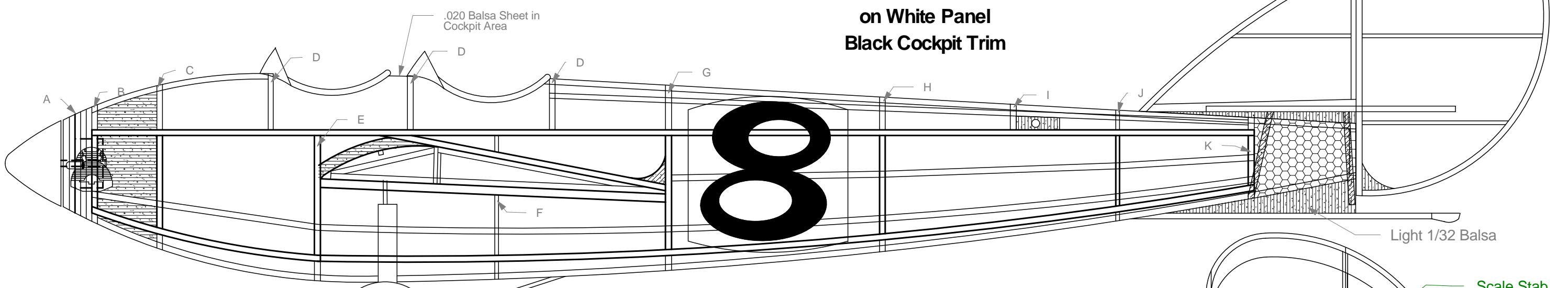


**SCALE REFERENCES:**

**ULTRALIGHTS The Early British Classics**  
**Air Progress (Spring 1960)**  
**Aeroplane Monthly (Nov 1985)**

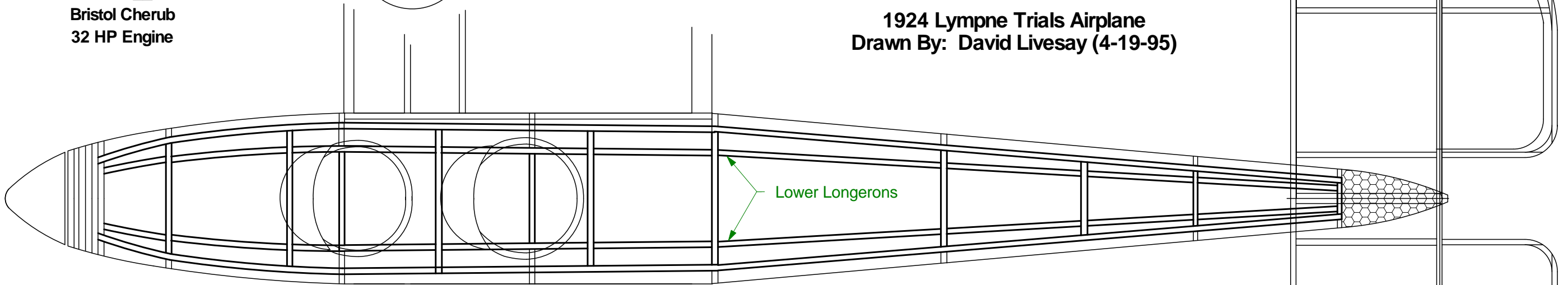


**COLOR :**  
**Overall Silver Doped**  
**Black Numeral**  
**on White Panel**  
**Black Cockpit Trim**



**SHORT "SATELLITE"**

1924 Lympne Trials Airplane  
 Drawn By: David Livesay (4-19-95)



**Notch Formers D,G,H,I For Motor Clearance**

