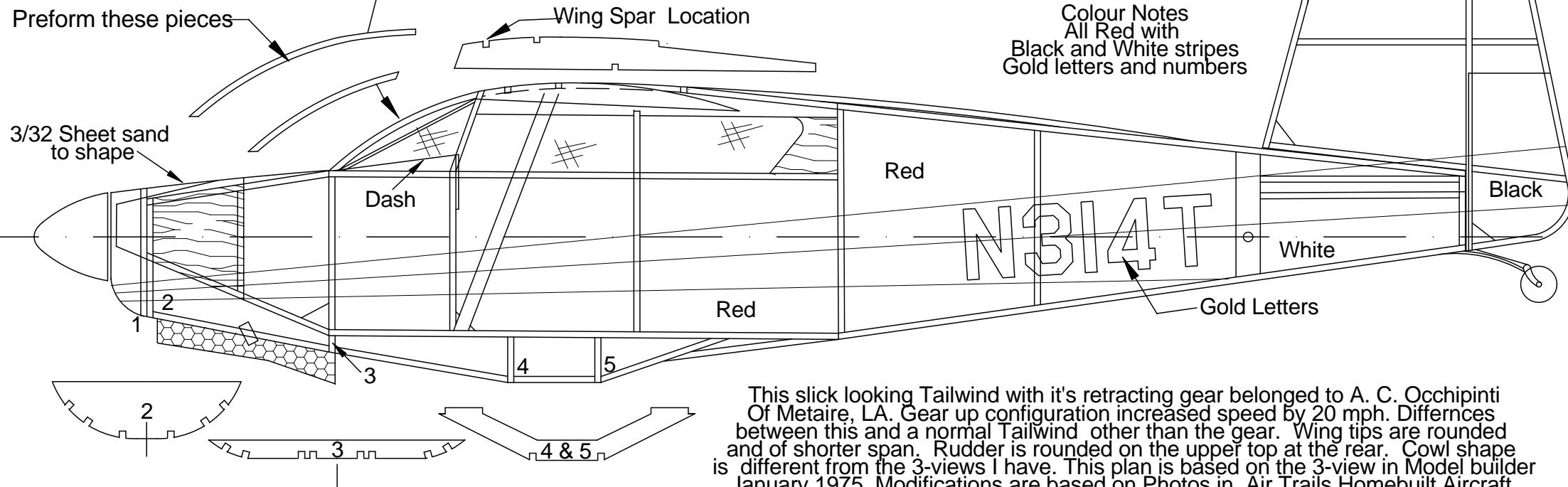
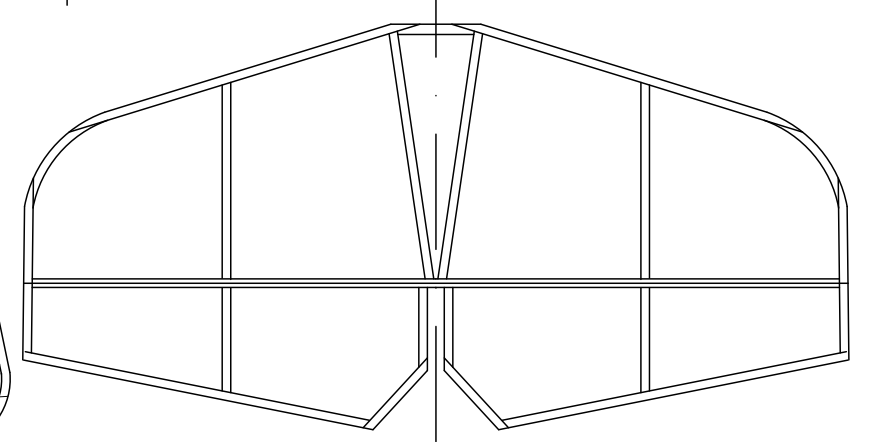


Preform these pieces

3/32 Sheet sand to shape



Colour Notes
All Red with
Black and White stripes
Gold letters and numbers



This slick looking Tailwind with it's retracting gear belonged to A. C. Occhipinti Of Metairie, LA. Gear up configuration increased speed by 20 mph. Differences between this and a normal Tailwind other than the gear. Wing tips are rounded and of shorter span. Rudder is rounded on the upper top at the rear. Cowling shape is different from the 3-views I have. This plan is based on the 3-view in Model builder January 1975. Modifications are based on Photos in Air Trails Homebuilt Aircraft summer 1970 (colour photo on Cover) and Air Progress Homebuilt Aircraft Fall /winter 1966-67.

A. C. OCCHIPINTI'S WITTMAN TAILWIND PEANUT SCALE

Plan By David Livesay
for the Cloudbusters Newsletter
December 12, 2002