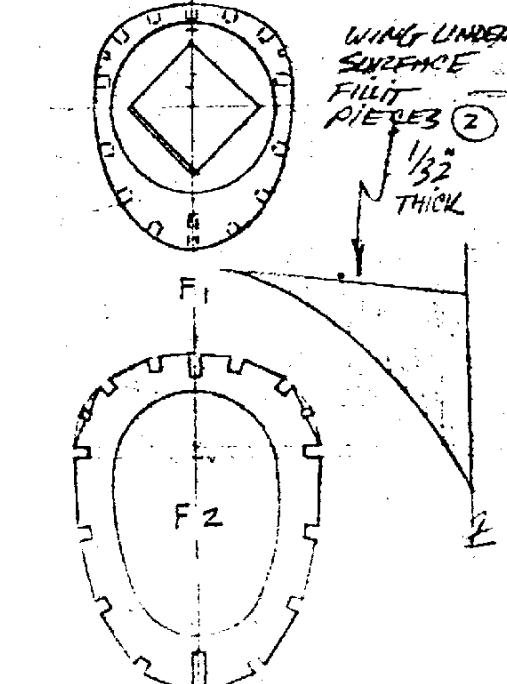
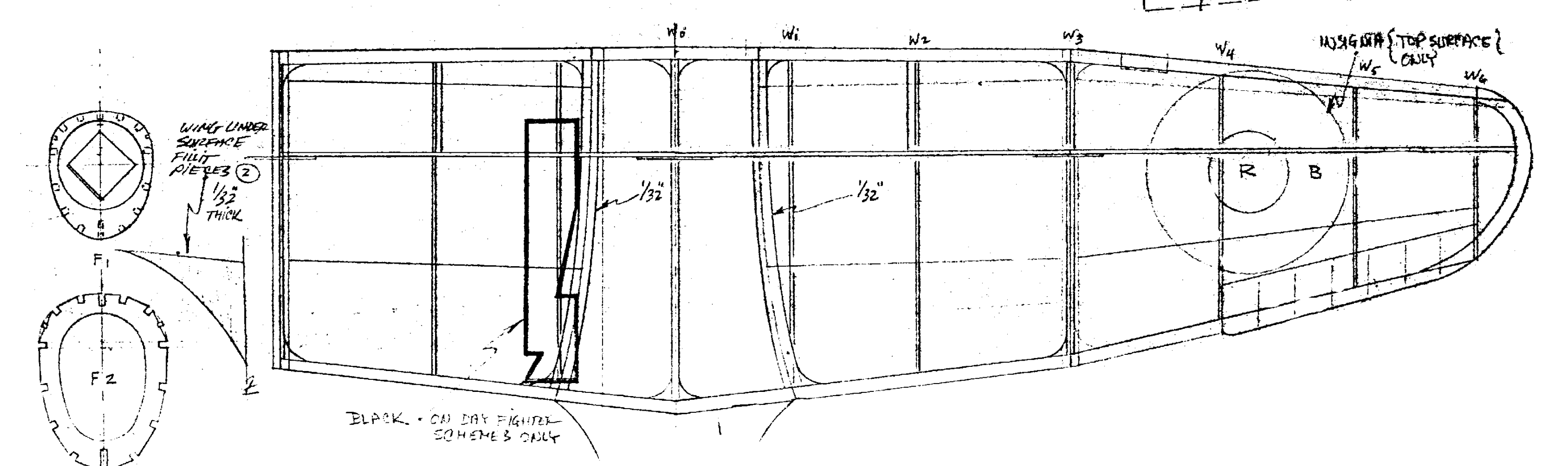


DEFIANT EMK-1
 © R. PRESTON BIRLINI
 14 NOV. 1971
 CAMPLAND, MASS.
 REF: HAWKINS, P. 4
 BOSTON, MASS. 02108

COLOR SCHEME
 UNDER ENTIRE MODEL WITH BLACK SUPERFINE TAP TISSUE
 ALL PANEL LINES: GRAY
 RUBBER CEILING TAPE BACK SURFACE OF BLACK TAP. CUT REQUIRED SIZE STRIPS FOR COCKPIT FRAMING & APPLY TO COCKPIT & TURRET



BLACK - ON DAY FIGURE SCHEMES ONLY