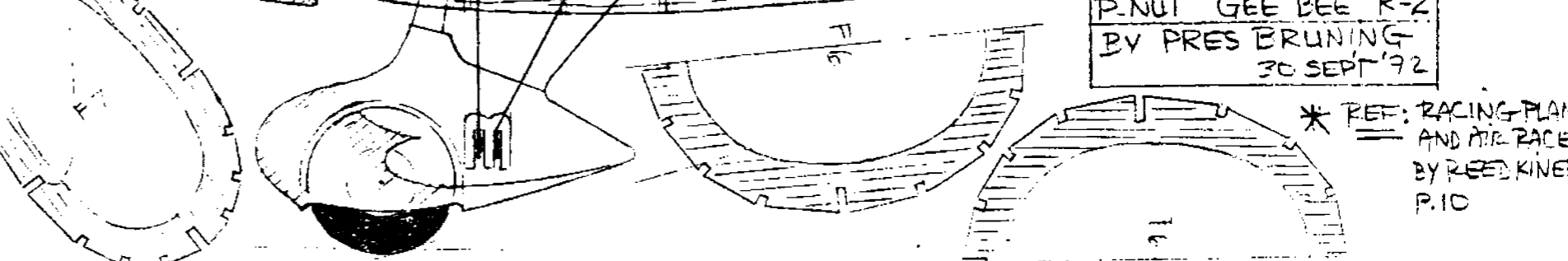
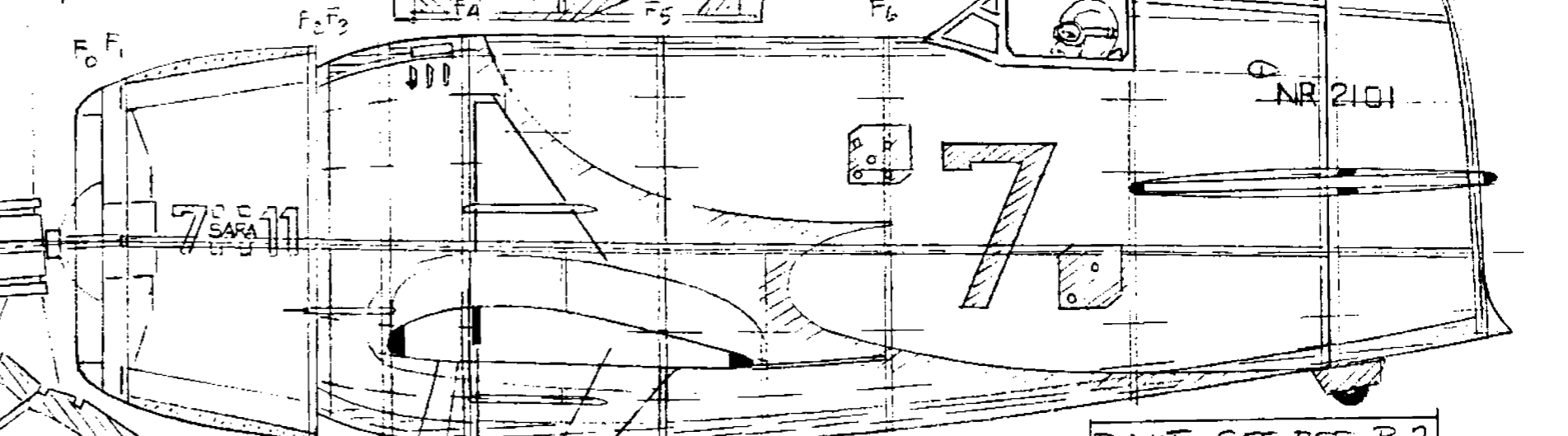
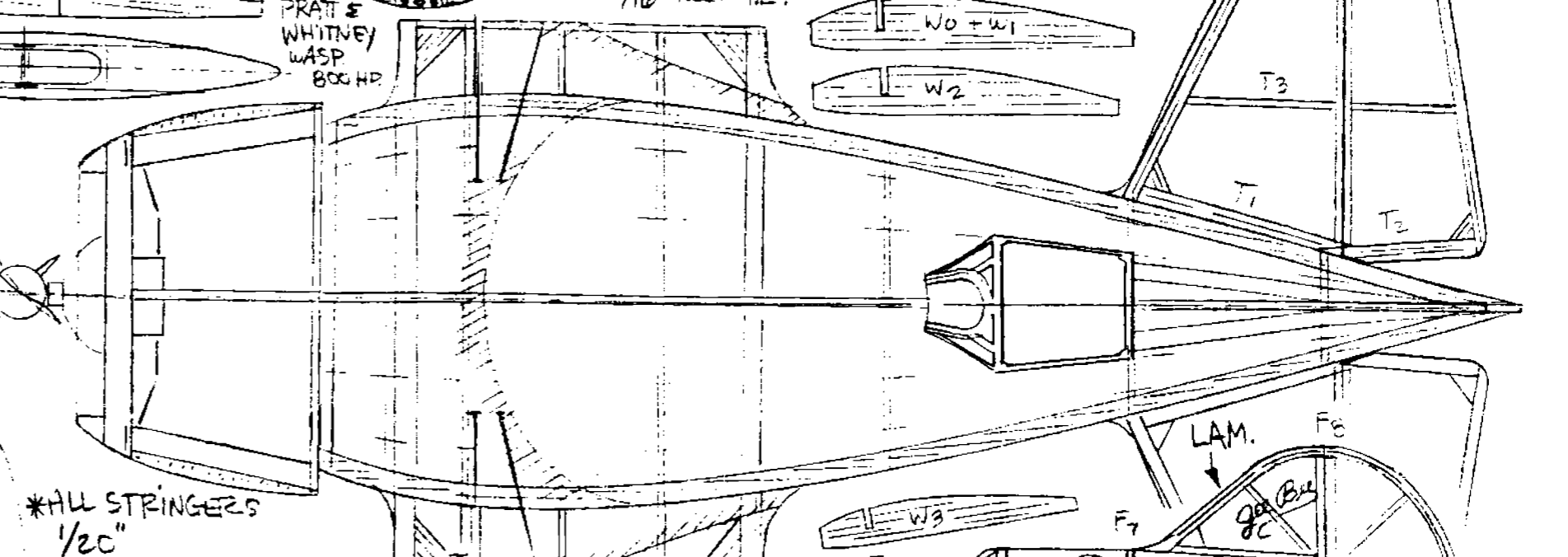
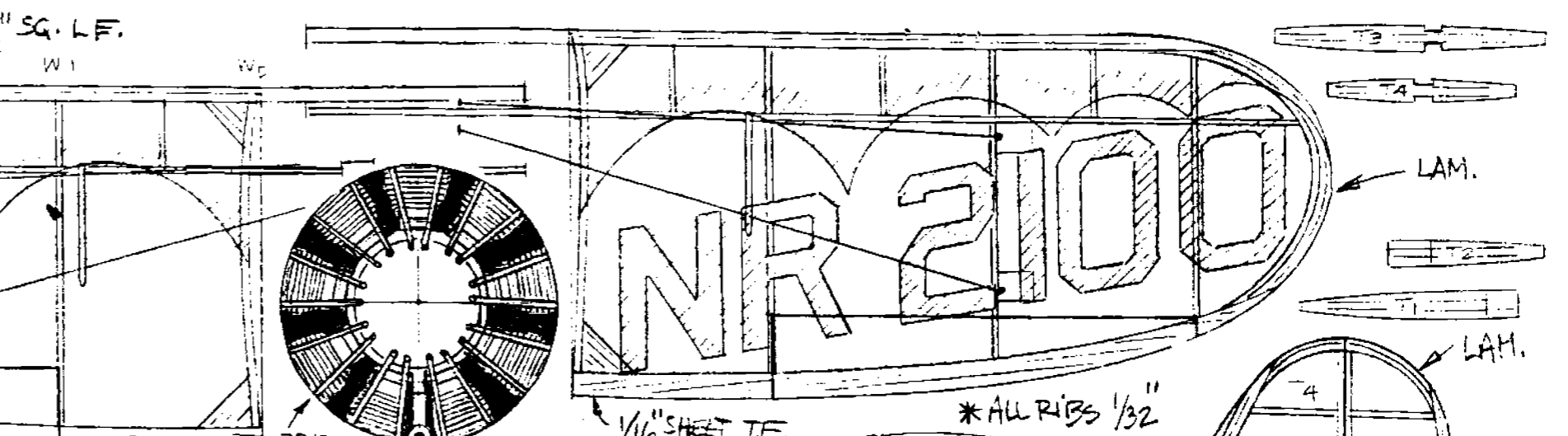
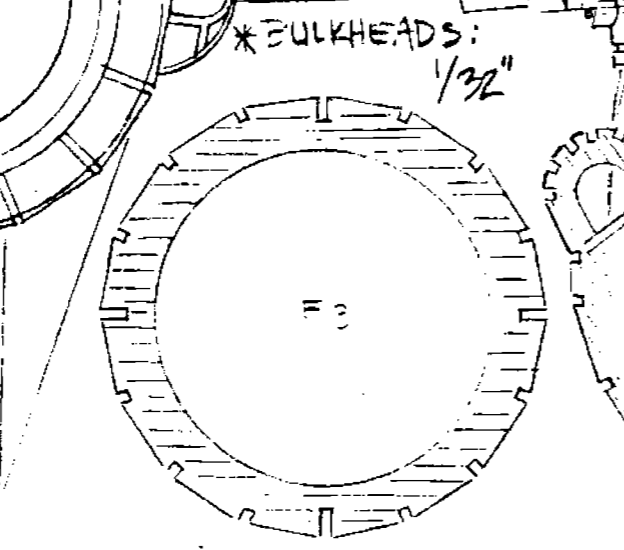
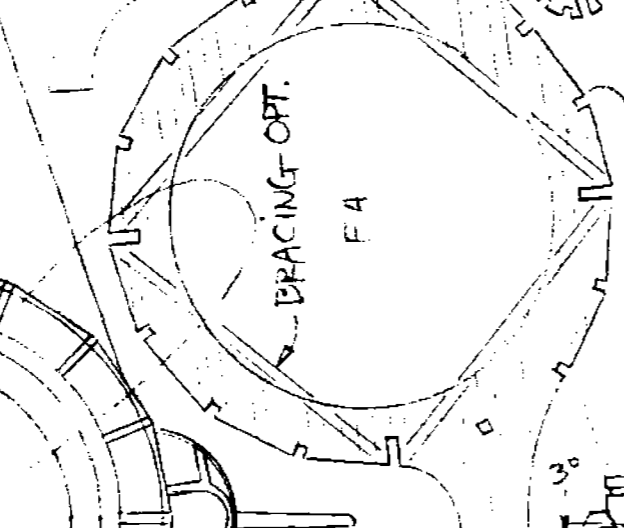
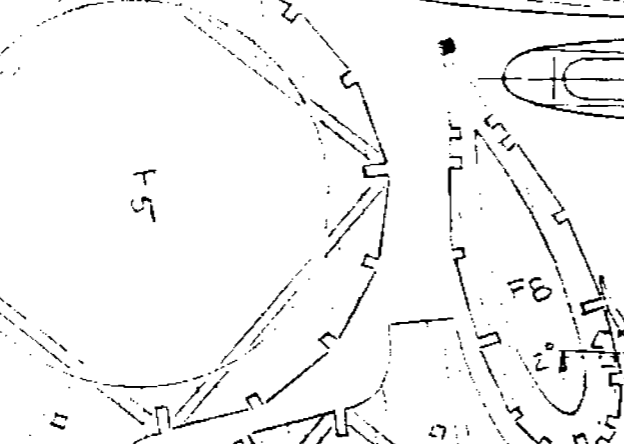
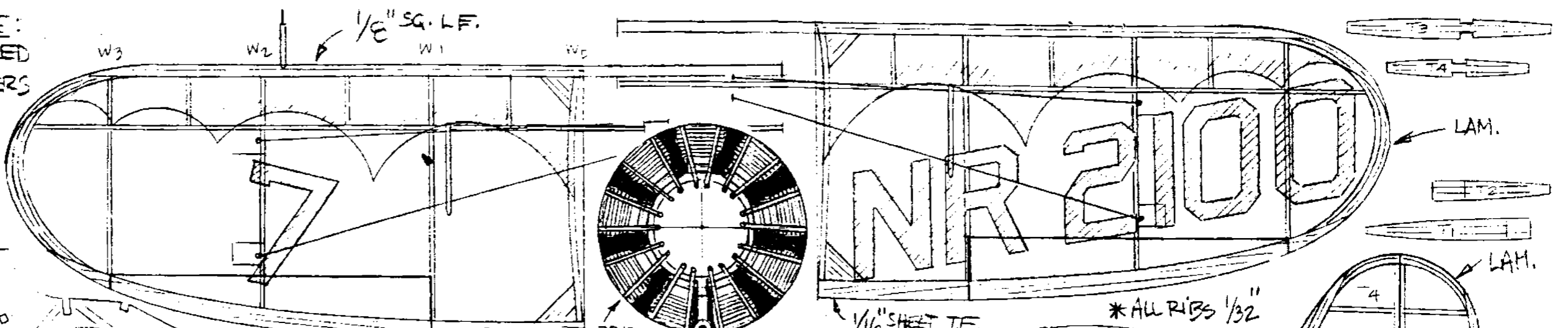
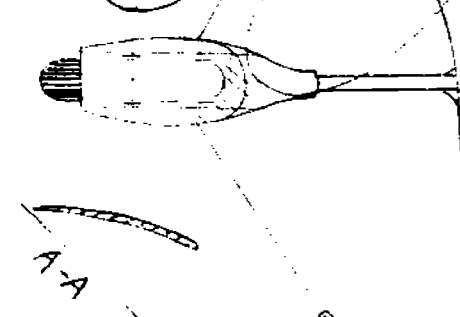
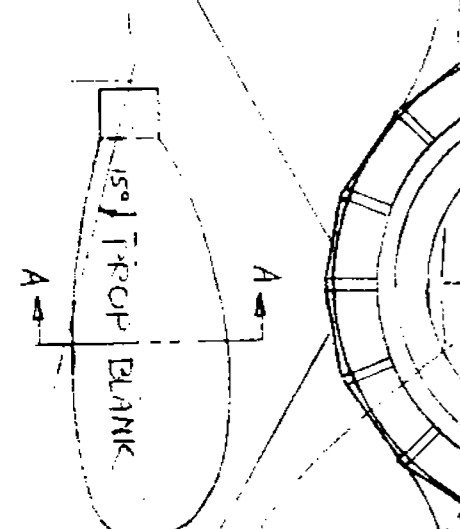
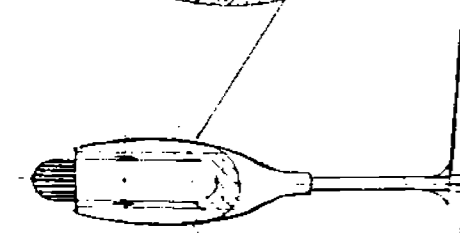
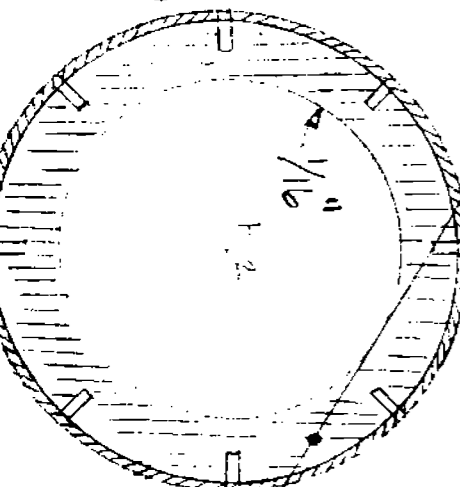
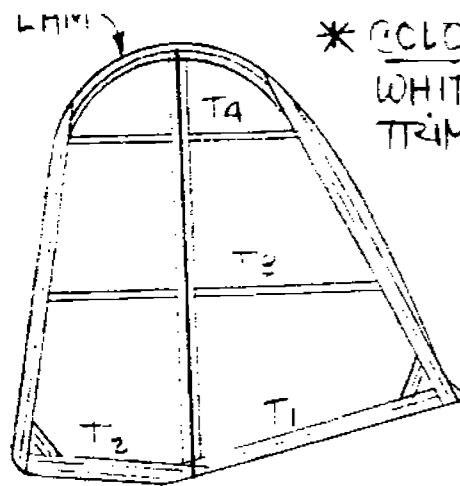
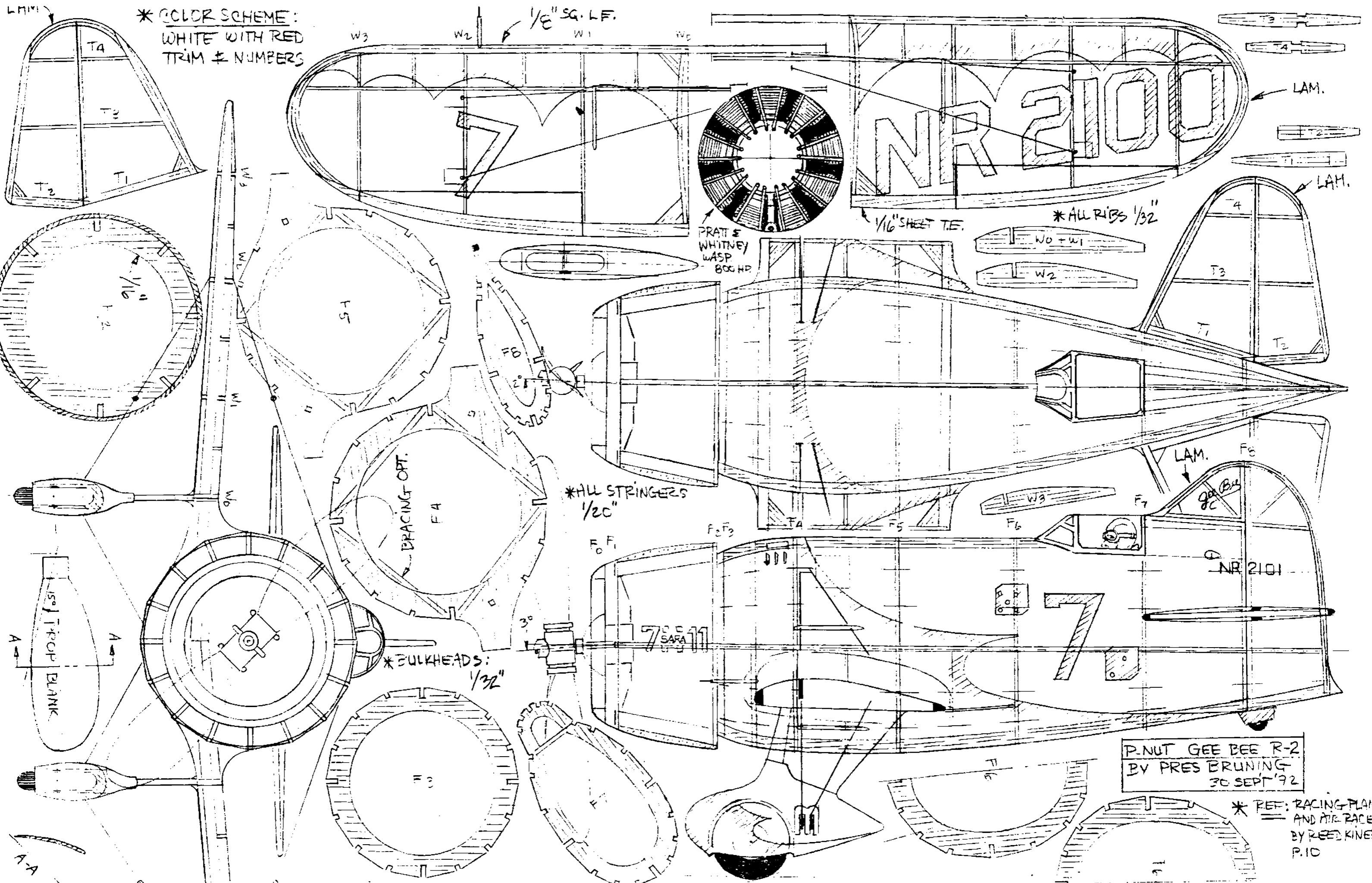


* COLOR SCHEME:
WHITE WITH RED
TRIM & NUMBERS



* ALL STRINGERS
1/20"

* BULKHEADS:
1/32"

* ALL RIBS 1/32"

P. NUT GEE BEE R-2
BY PRES BRUNING
30 SEPT '92

* REF: RACING PLANES
AND AIR RACES
BY REED KINERT
P. 10