

LANDING GEAR STRUT
FILLET (BOND PAPER)

FOLD

TIP DIH. 1/2"

REF: RACING
PLANES BY
REED KINERT
VOL III SERIES 1,
PP. 18-20

COLOR SCHEME:
RED W. BLACK TRIM
EDGED IN WHITE
WHITE NOS. &
REGISTRATION

1/16" SHEET COWL BETWEEN F0 & F1

HALL-SPRINGFIELD
"BULLDOG" RACER
BY PRES BRUNING
11 SEPT 2001

LG. WIRE
PATTERN

F6

F1

F0

H3

H2

H1

W1, W2

W3

W4

W5

W6

W7

W8

W9

W10

W1

W7

W0

W8

W5

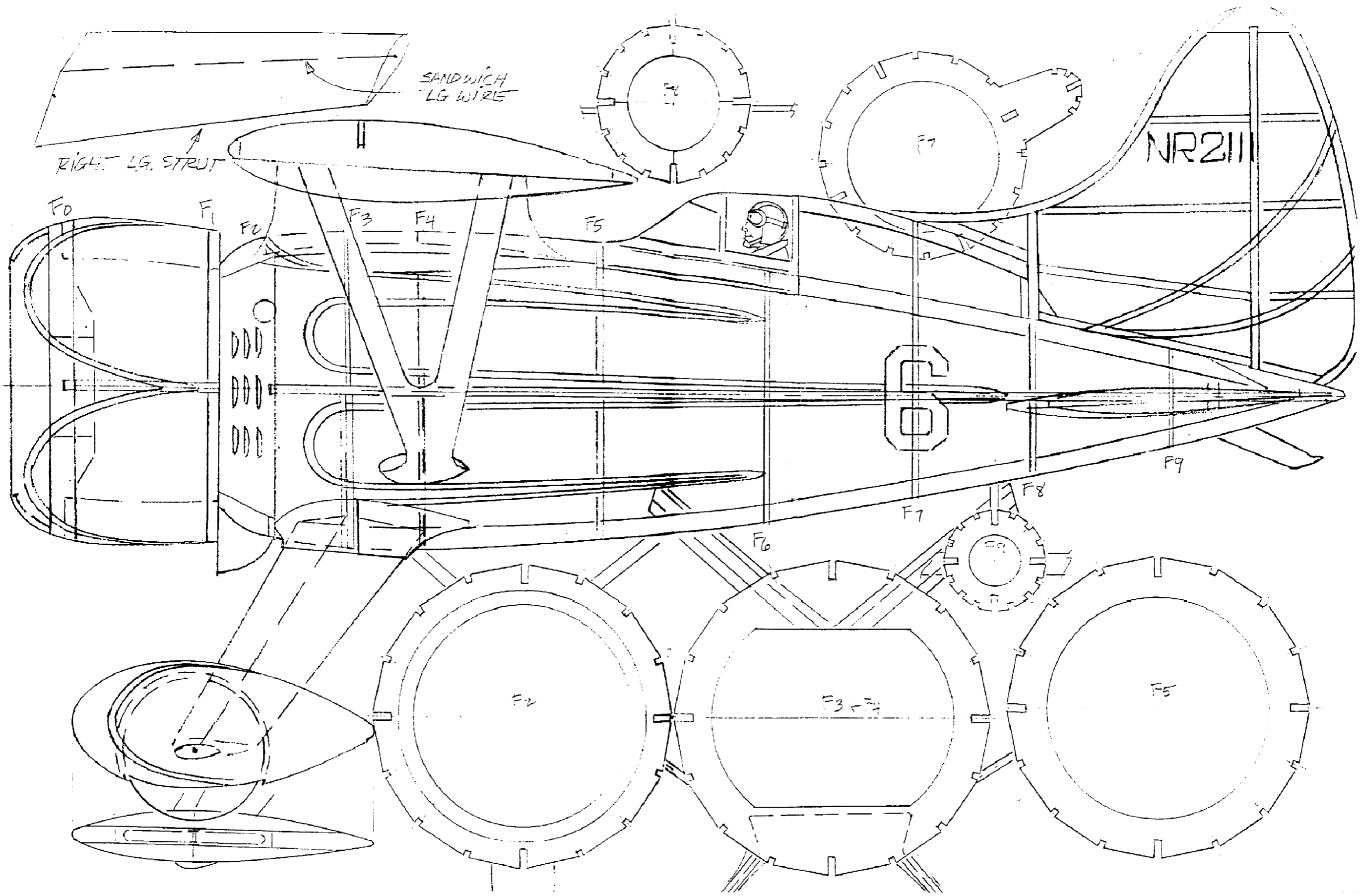
W4

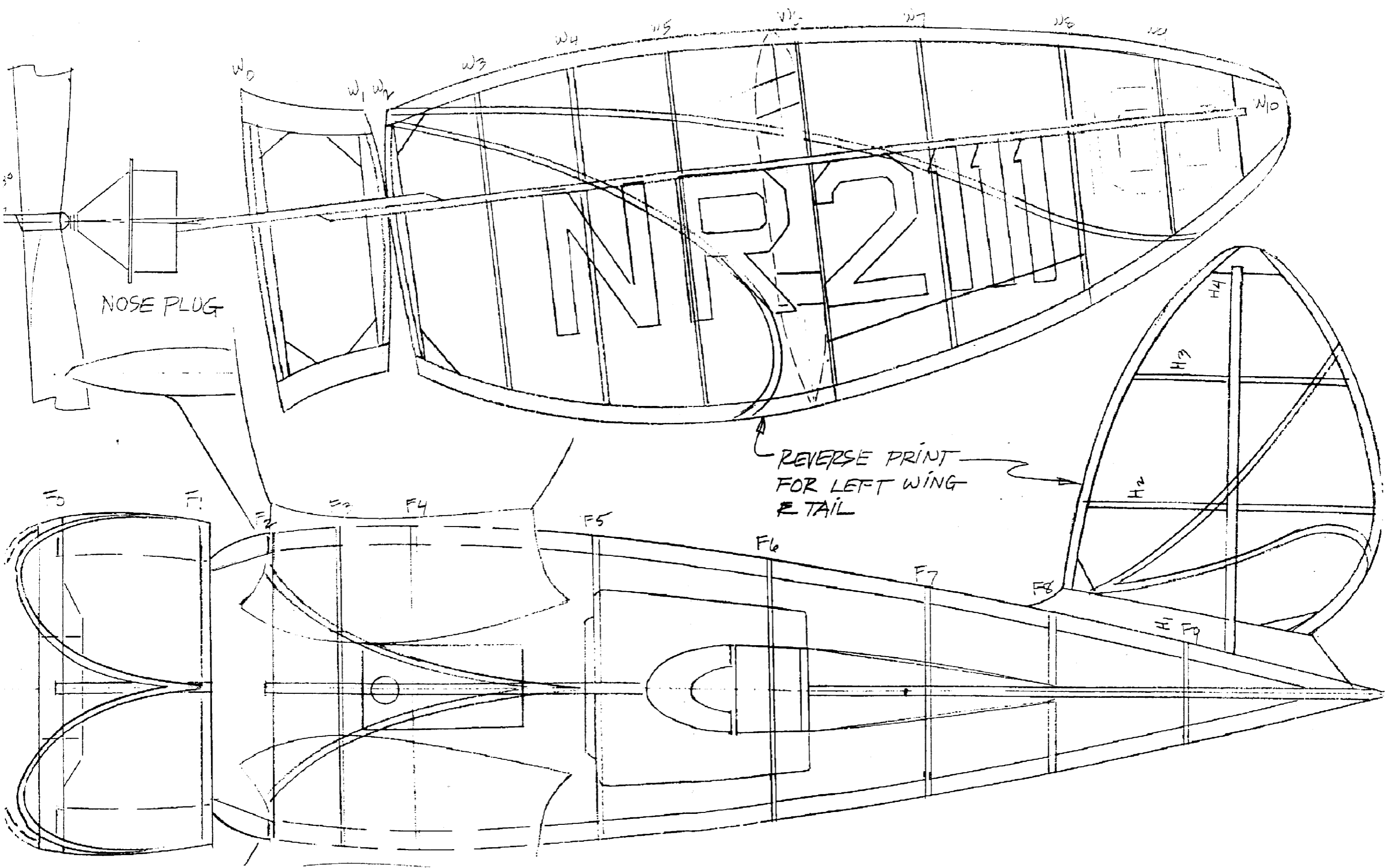
W3

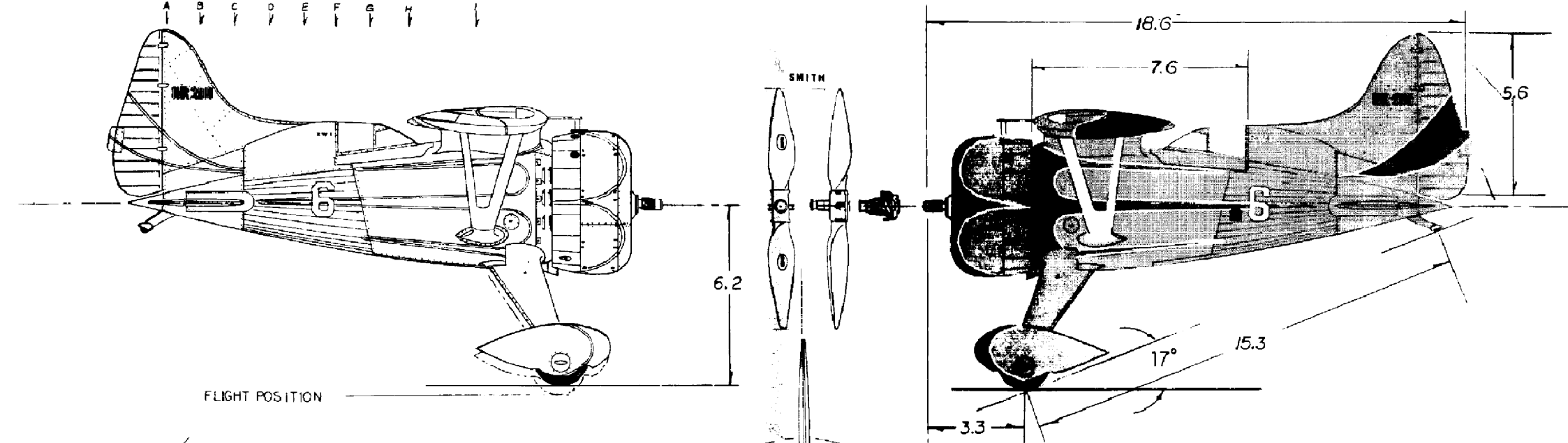
W2

W6

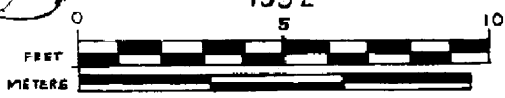
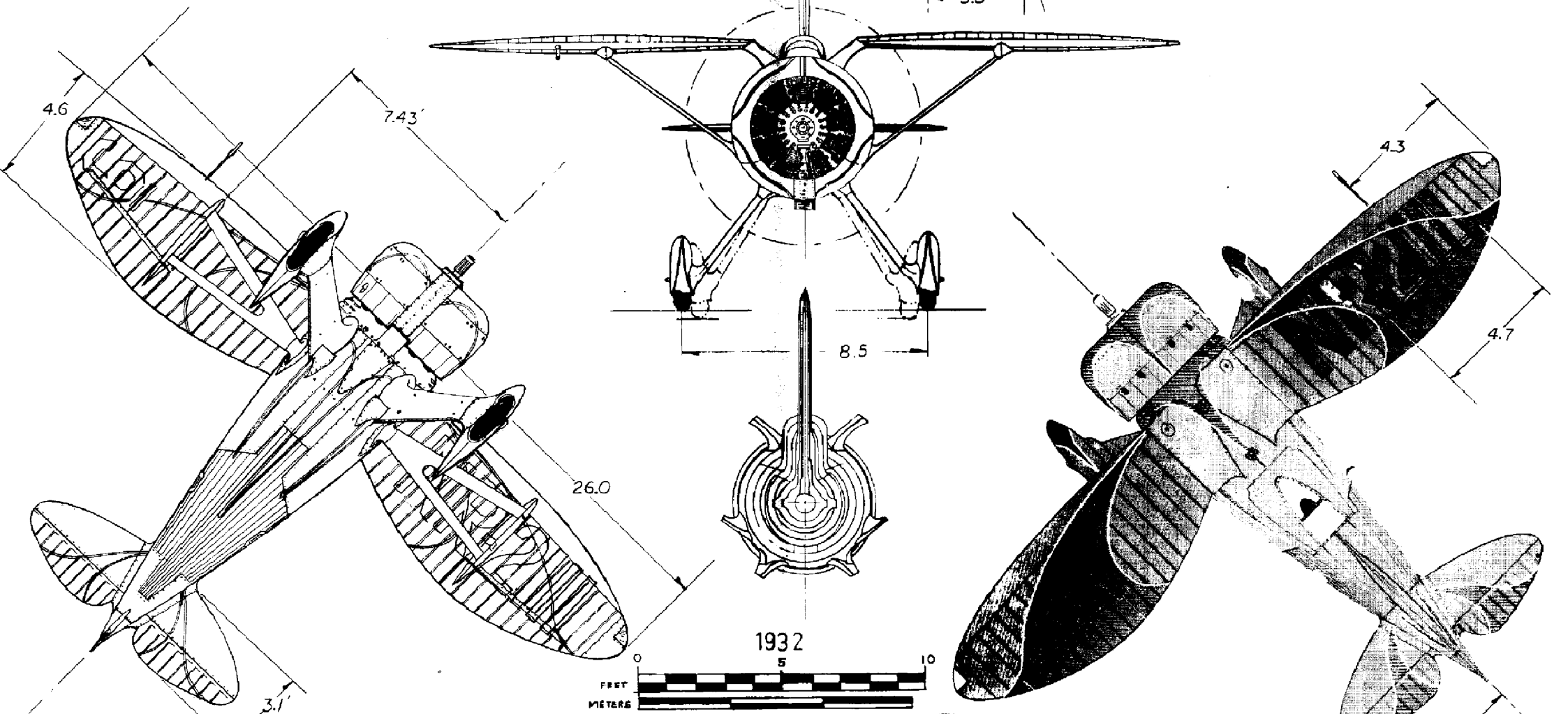
W0







FLIGHT POSITION



COLOR: BRIGHT RED - BLACK -
WHITE Pinstripe & NO. 6

HALL'S
SPRINGFIELD BULLDOG
P & W WASP SR.

© R.S. HIRSCH
1961, REV. A 1979

1