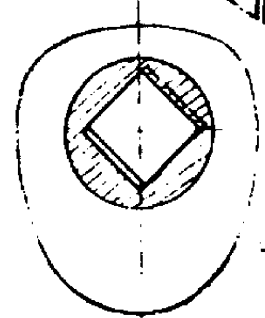
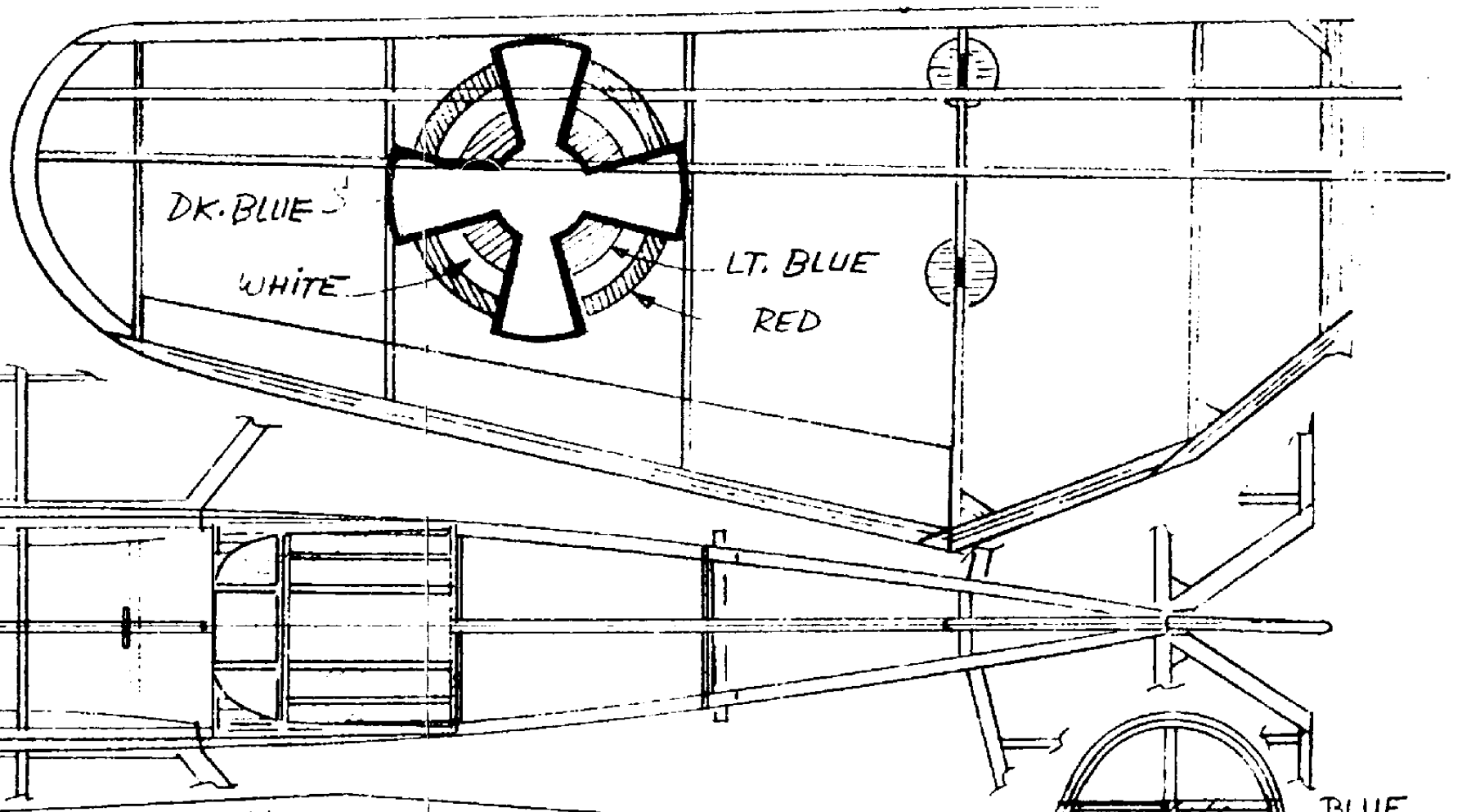


COLOR SCHEME :

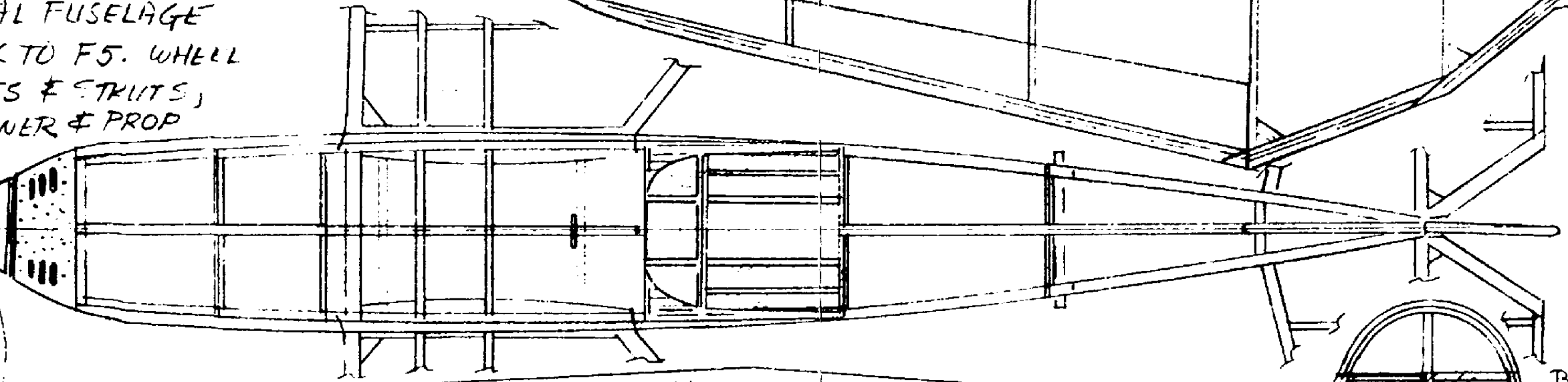
OVERALL SILVER

WING INSIGNIA TOP
& BOTTOM OF WING

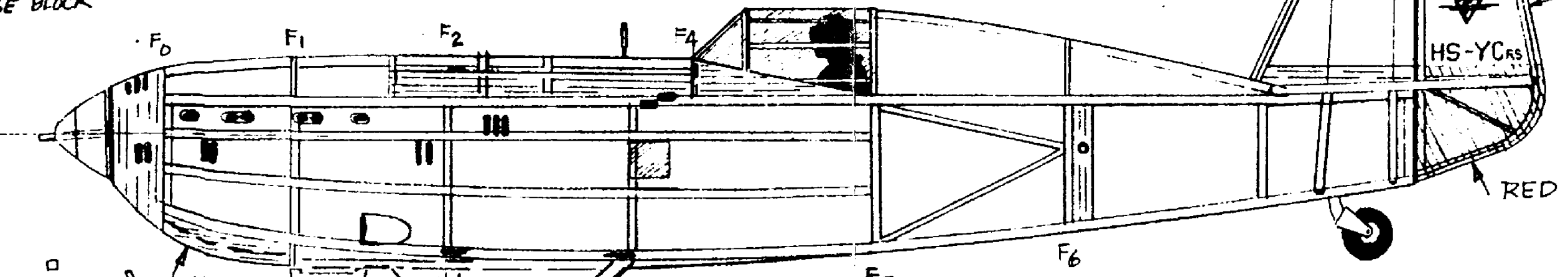
POLISHED NATURAL
METAL FUSELAGE
BACK TO F5. WHEEL
FANTS & STRUTS,
SPINNER & PROP



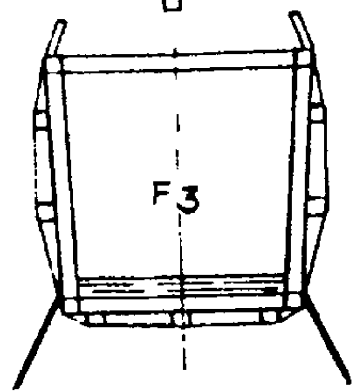
NOSE BLOCK



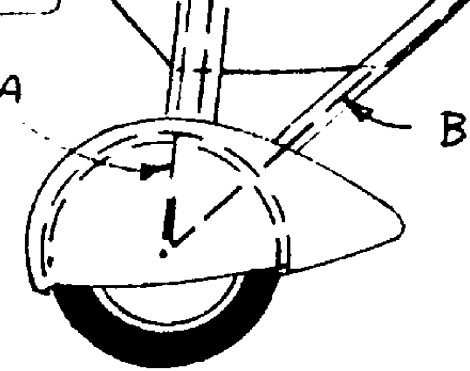
MAIN SPAR



HOLLOW
OUT
SOFT
BALSA



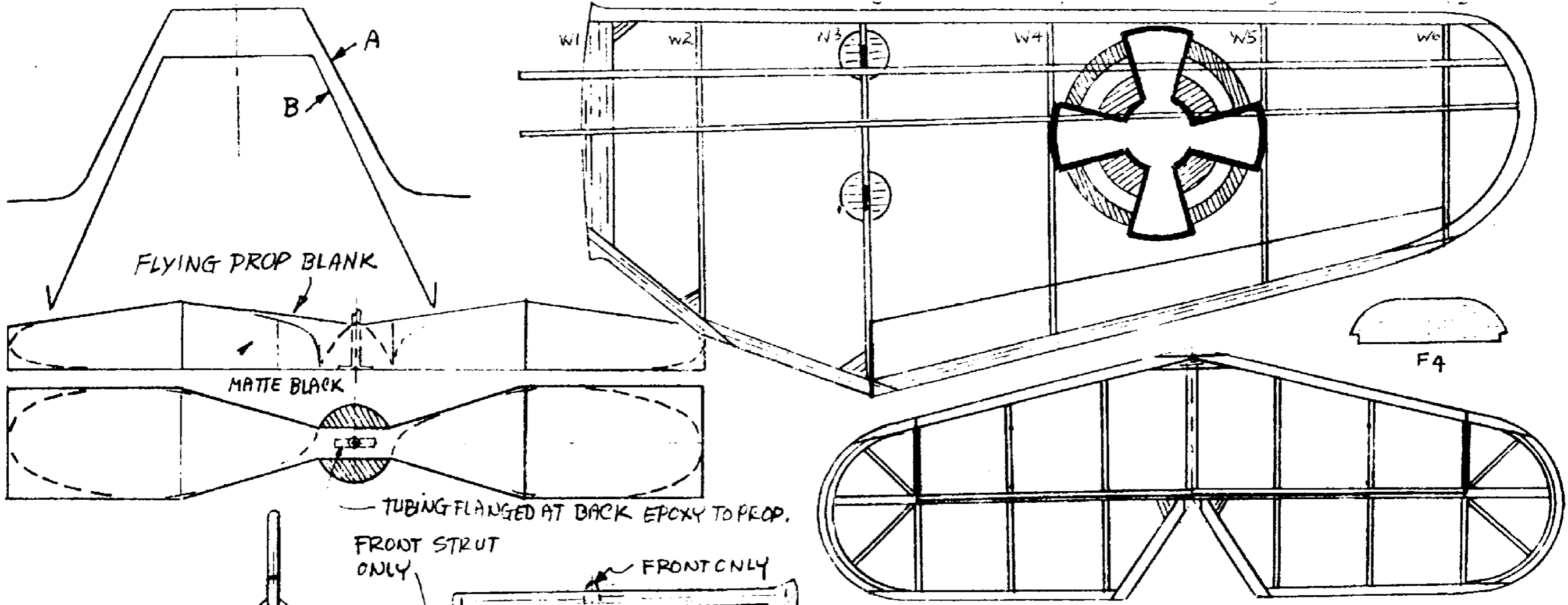
F3



REFERENCE :
PROFILE PUBLICATION # 242

YUGOSLAV P-NUT IK-2 BY-PRES BRUNING

BLUE
IK-2
EP81
WHITE
HS-YCRS
RED

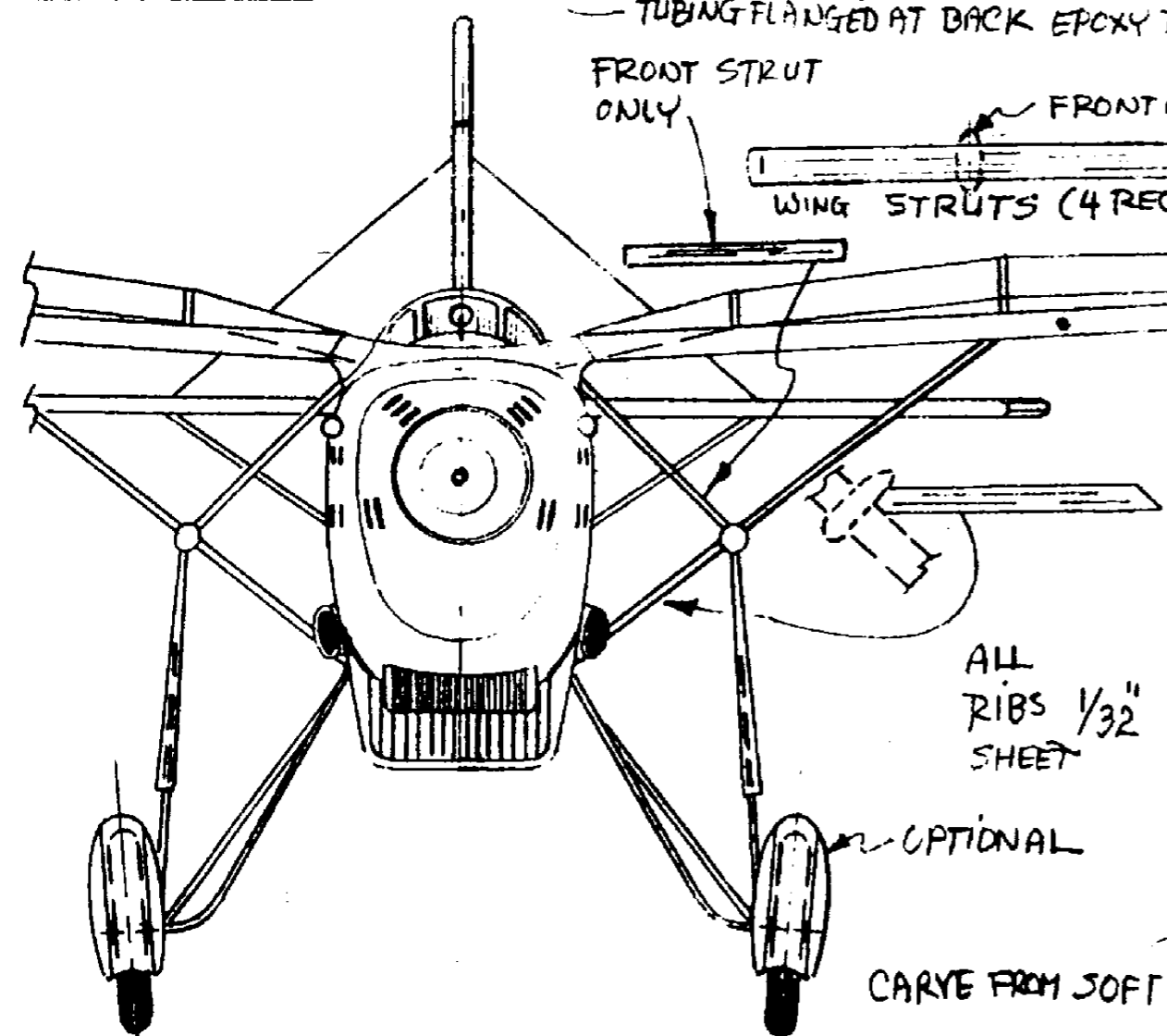


TUBING FLANGED AT BACK EPOXY TO PROP.

FRONT STRUT ONLY

FRONT ONLY

WING STRUTS (4 REQ'D.)



ALL RIBS 1/32" SHEET

OPTIONAL

CARVE FROM SOFT BALSA

W1 (MAKE RIGHT & LEFT)

