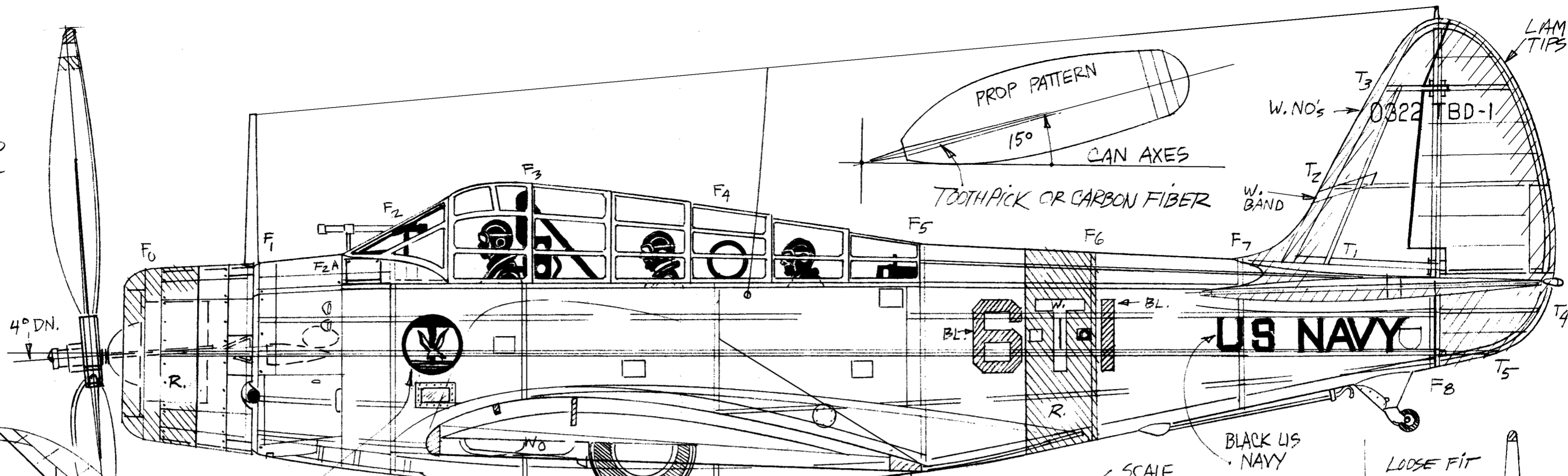


PRATT & WHITNEY
14 CYL. TWIN WASP
RADIAL ENGINE



HORIZ.
LAM. TIPS

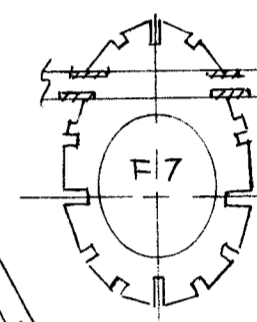
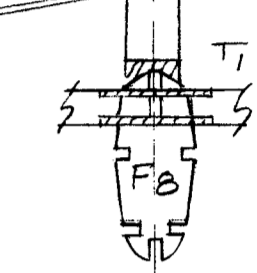
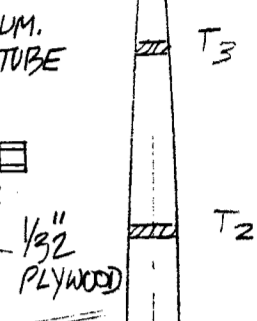
BLACK
BLUE
WHITE
SEAGULL

SCALE
OUTLINE

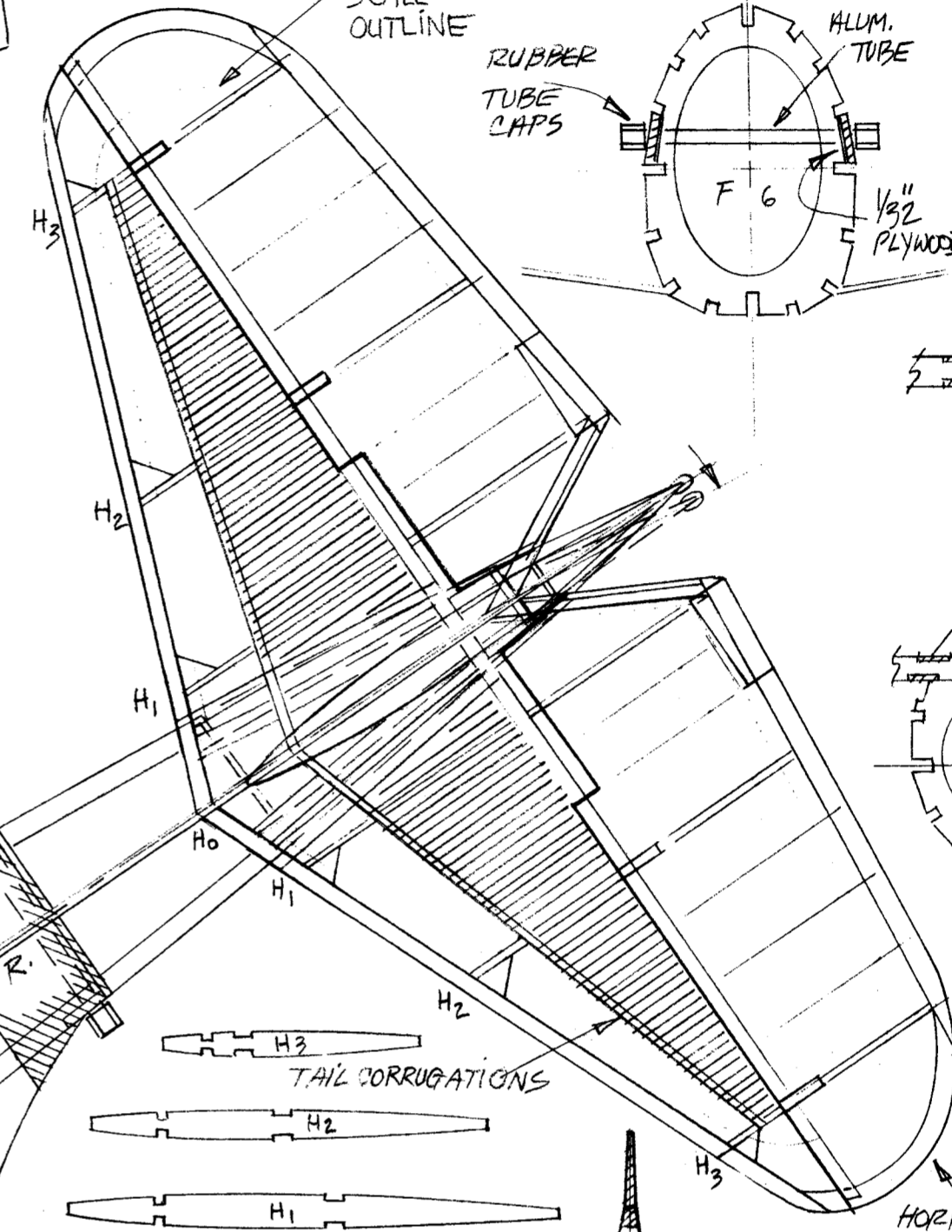
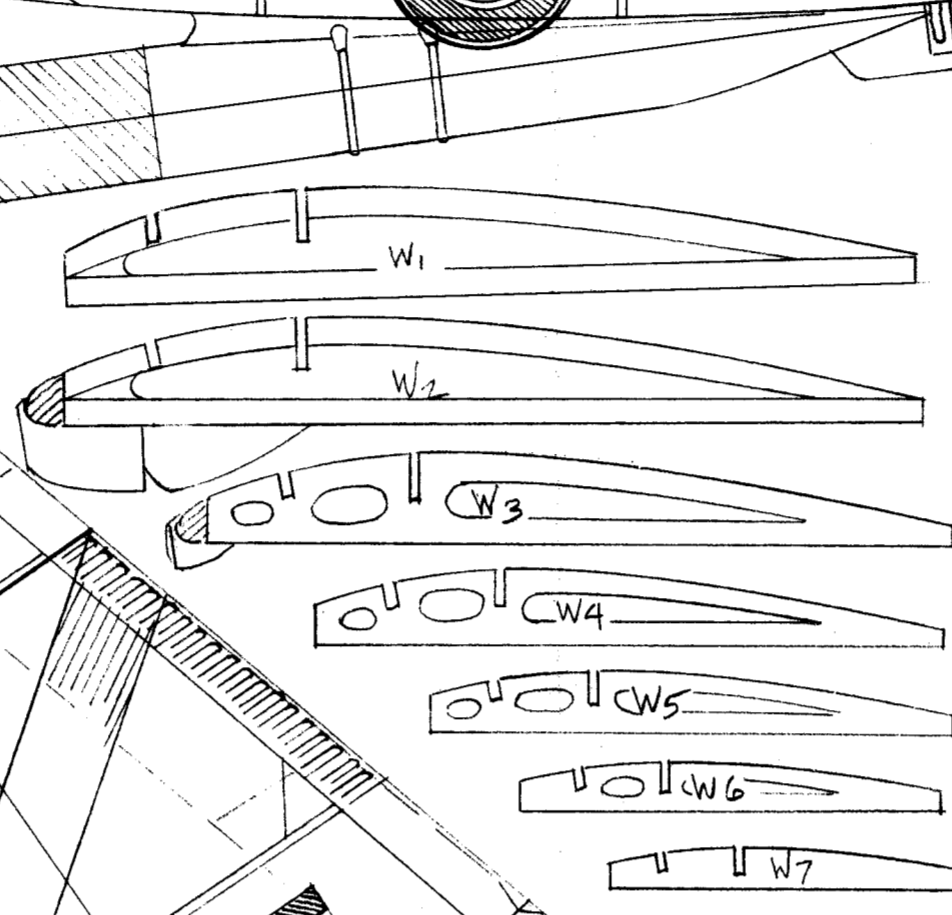
BLACK US
NAVY

LOOSE FIT
ALUM.
TUBE

RUBBER
TUBE
CAPS

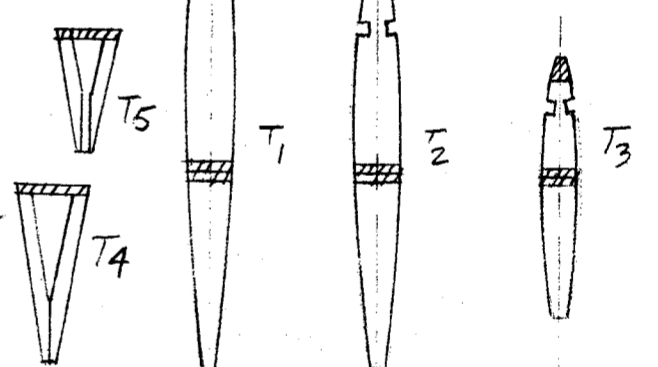


MAIN SPAR
W1
W2
W3
W4
W5
W6
W7

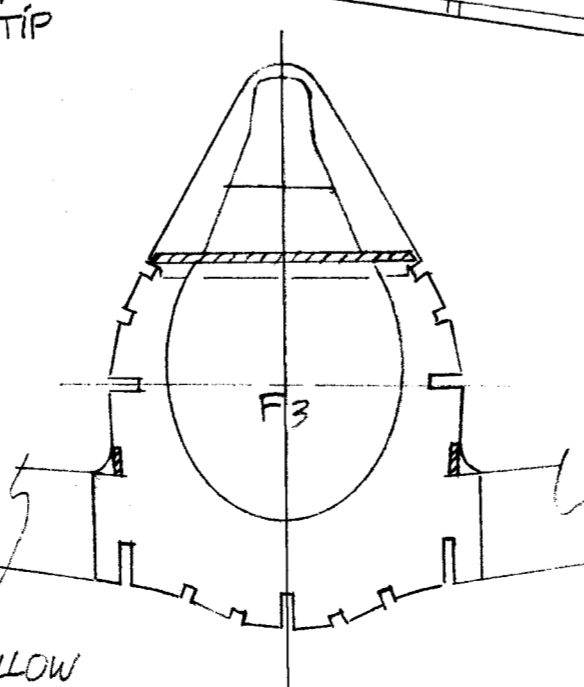
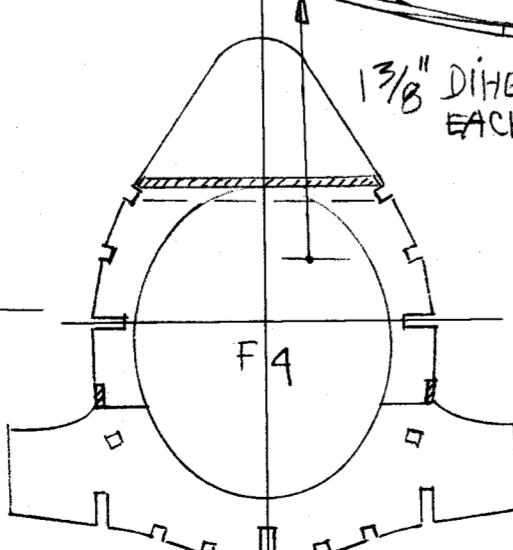
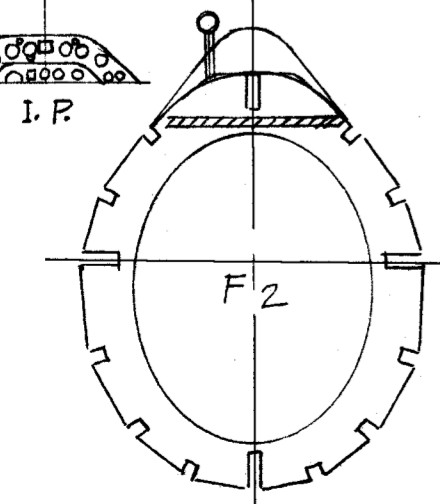
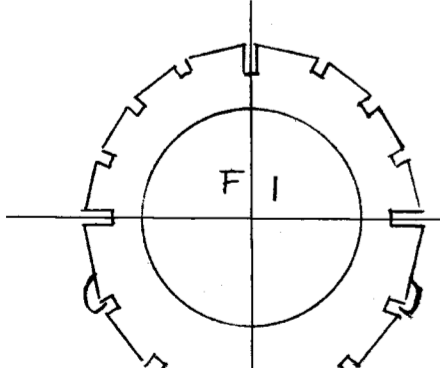
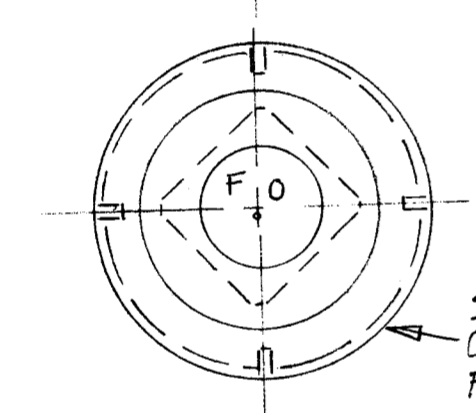


FILLITS 2 REQ'D.

1/30 SOFT SHEET
BALSA
CORRUGATIONS
ON TOP &
BOTTOM IN
POSITION SHOWN



SHEET
COWL BET.
F0 & F1 WITH
1/16" SOFT
BALSA



COLOR SCHEME:
LIGHT GREY FUSELAGE
& WING UNDERSURFACE
WINGS UPPER SURFACE YELLOW
TAIL SURFACES: BLUE

REF: US NAVY CARRIER BOMBERS OF WWII
SQUADRON/SIGNAL PUBS. 1987
PP. 1-28
COMBAT AIRCRAFT OF WWII 1938-1939
MILITARY PRESS PUBS. 1987 P.58

DOUGLAS TBD DEVASTATOR
20 3/4" WINGSPAN
SCALE: 3/8" = 1'-0"
BY PRES BRUNING

